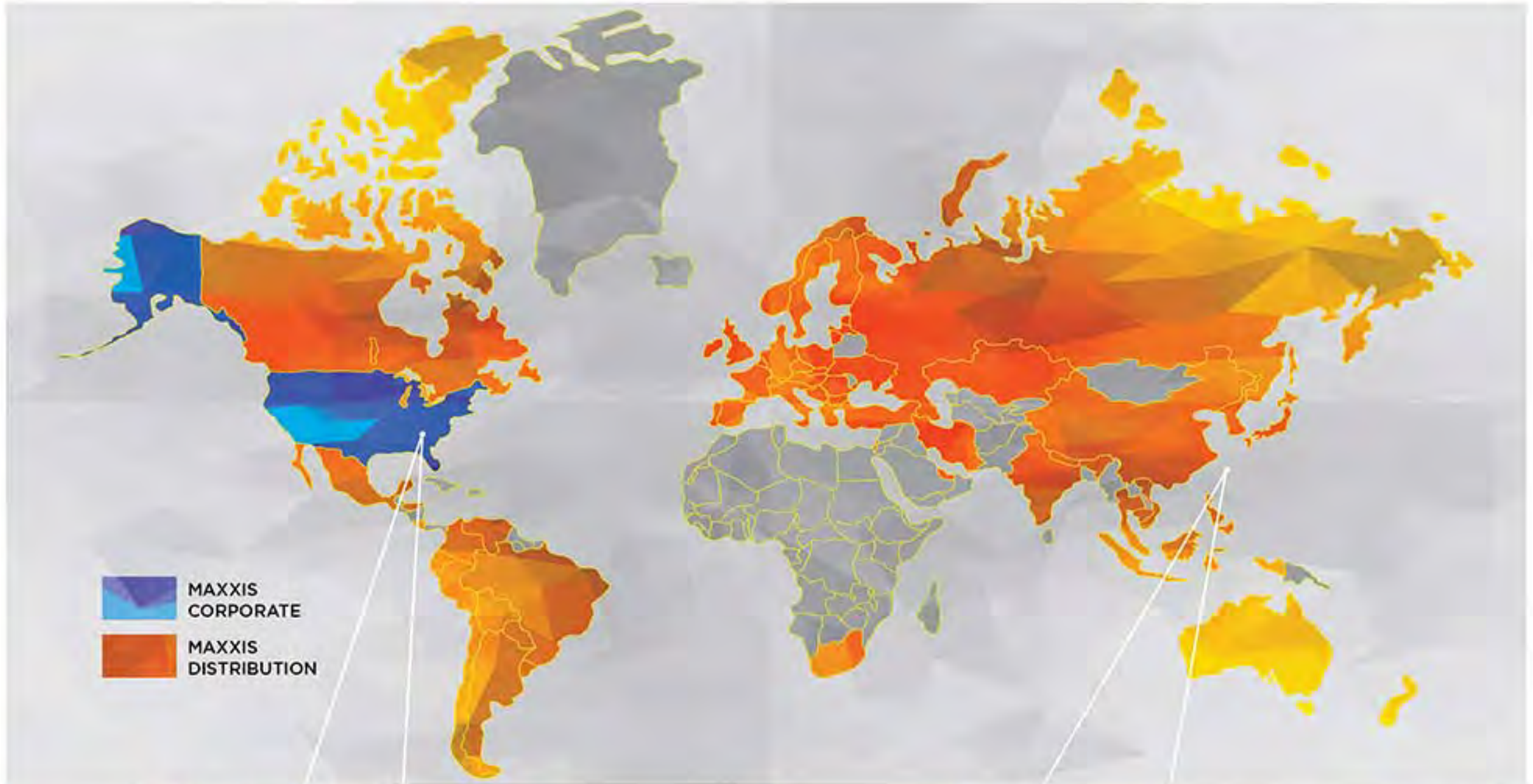


PHOTO: DELORME



MAXXIS[®]
2015 BICYCLE
NORTH AMERICA

FOR GLOBAL DISTRIBUTOR INFORMATION, PLEASE VISIT US AT MAXXIS.COM.



MAXXIS TECHNOLOGY CENTER - USA
 480 Old Peachtree Road / Suwanee, GA 30024, USA
 Tel: 1.678.376.4420 / Fax: 1.770.822.4361



MAXXIS INTERNATIONAL - USA
 545 Old Peachtree Road / Suwanee, GA 30024, USA
 Tel: 1.800.4.MAXXIS / Tel: 1.770.962.5932 / Fax: 1.770.962.7705



MAXXIS INTERNATIONAL - HQ
 215 Meei-Kong Rd. / Ta-Tsun, Chang-Hwa / Taiwan
 Tel: 886.4.852.5151 / Fax: 886.4.852.6468



MAXXIS INTERNATIONAL
 Research and Development Center



OUR MISSION

We strive to provide the highest quality products and customer service with the goal of creating lifelong Maxxis customers. Anchored by a strong commitment to our values, we form close partnerships with our stakeholders, and together we work to consistently exceed our customers' expectations.

From design to production, from the factory floor to your favorite road or trail, Maxxis products lead the way in technological advances. For bicycle, automotive, light truck, ATV, motorcycle, kart, trailer and lawn & garden, Maxxis provides the quality customers have come to depend on.

Total customer satisfaction has been Maxxis' guiding purpose since 1967. Working toward this goal has built Maxxis into the successful, worldwide company it is today. Champions around the world choose Maxxis because they know that our extensive product research, unique designs and rigorous testing standards produce tires that will elevate riders to the next level.

FOR MORE INFORMATION ON THE ENTIRE MAXXIS PRODUCT LINE, VISIT US AT [MAXXIS.COM](https://www.maxxis.com)

TABLE OF CONTENTS

TECHNOLOGY	
OVERVIEW	6
PROTECTION	
NYLON BREAKER	7
SILK SHIELD	7
MAXX SHIELD	7
MAXX PROTECT	8
KEVLAR INSIDE	8
KEVLAR COMPOSITE	8
SILKWORM	9
EXO	9
LUST	9
BUTYL INSERT	9
CONSTRUCTION	
TUBULAR ROAD	10
RADIAL ROAD	10
TUBELESS ROAD	11
COMPOUNDS	
SINGLE	12
DUAL	12
SUPER TACKY	12
3C TRIPLE COMPOUND ROAD	12
3C TRIPLE COMPOUND MTB	13
TERRAIN GUIDES	
ROAD/HYBRID	14
BMX/TRIALS/URBAN	14
FAT BIKE	14
MOUNTAIN/DOWNHILL	15
CYCLOCROSS	15

ROAD	
ROAD TUBULAR	
CAMPIONE	17
CAMPIONE TT	17
FORZA	18
ROAD TUBELESS	
PADRONE	19
PADRONE TR	19
RADIALE-TL	20
ROAD CLINCHER	
RELIX	21
RELIX TT	21
COURCHEVEL	22
CORMET	22
COLUMBIERE	23
DOLOMITES	23
ROULER	24
DETONATOR	24
RE-FUSE	25
CYCLOCROSS	
RAZE	26
LARSEN MIMO CX	27
MUD WRESTLER	27
HYBRID	
DETONATOR-HYBRID	29
OVERDRIVE	29
OVERDRIVE ELITE	30
OVERDRIVE II	30
ROAMER	31

GYPSY	31
MOUNTAIN	
MAXXLITE	33
TREAD LITE	33
ASPEN	34
CROSSMARK	34
IKON	35
SNYPER	35
IGNITOR	36
ARDENT RACE	36
ARDENT	37
HIGH ROLLER	38
HIGH ROLLER II	38
MINION DHF	39
MINION DHR II	39
BEAVER	40
SHORTY	40
DOWNHILL	
GRIFFIN	42
MINION DHF	42
MINION DHR II	43
HIGH ROLLER	44
HIGH ROLLER II	44
SHORTY	45
WETSCREAM	45
FAT BIKE	
MAMMOTH	47
CHRONICLE	47
URBAN	

HOLY ROLLER	49
DTH	49
TORCH	50
HOO KWORM	50
GRIFTER	51
BMX	
MAXXDADDY	53
HOLY ROLLER	53
DTH	54
TORCH	54
RIZER	55
HOO KWORM	56
GRIFTER	56
MODIFIED TRIALS	
CREEPY CRAWLER F	57
CREEPY CRAWLER R	57
MODULAR VALVE SYSTEM	
MVS VALVE STEM SETS	58
MVS FLYWEIGHT TUBES	59
MVS ULTRALIGHT TUBES	59
INNER TUBES	
FLYWEIGHT	60
ULTRALIGHT	60
WELTERWEIGHT	61
FREERIDE	61
DOWNHILL	61
QUICK REFERENCE	
PRODUCT/SPEC LISTING	62

Maxxis makes every effort to ensure the accuracy of the information we publish. Maxxis is not responsible for errors or misprints in our materials. Specifications and item availability are subject to change without notice. Actual weights and measurements may vary from those published herein. Weights are listed in grams.

© 2014 Maxxis International. All rights reserved.

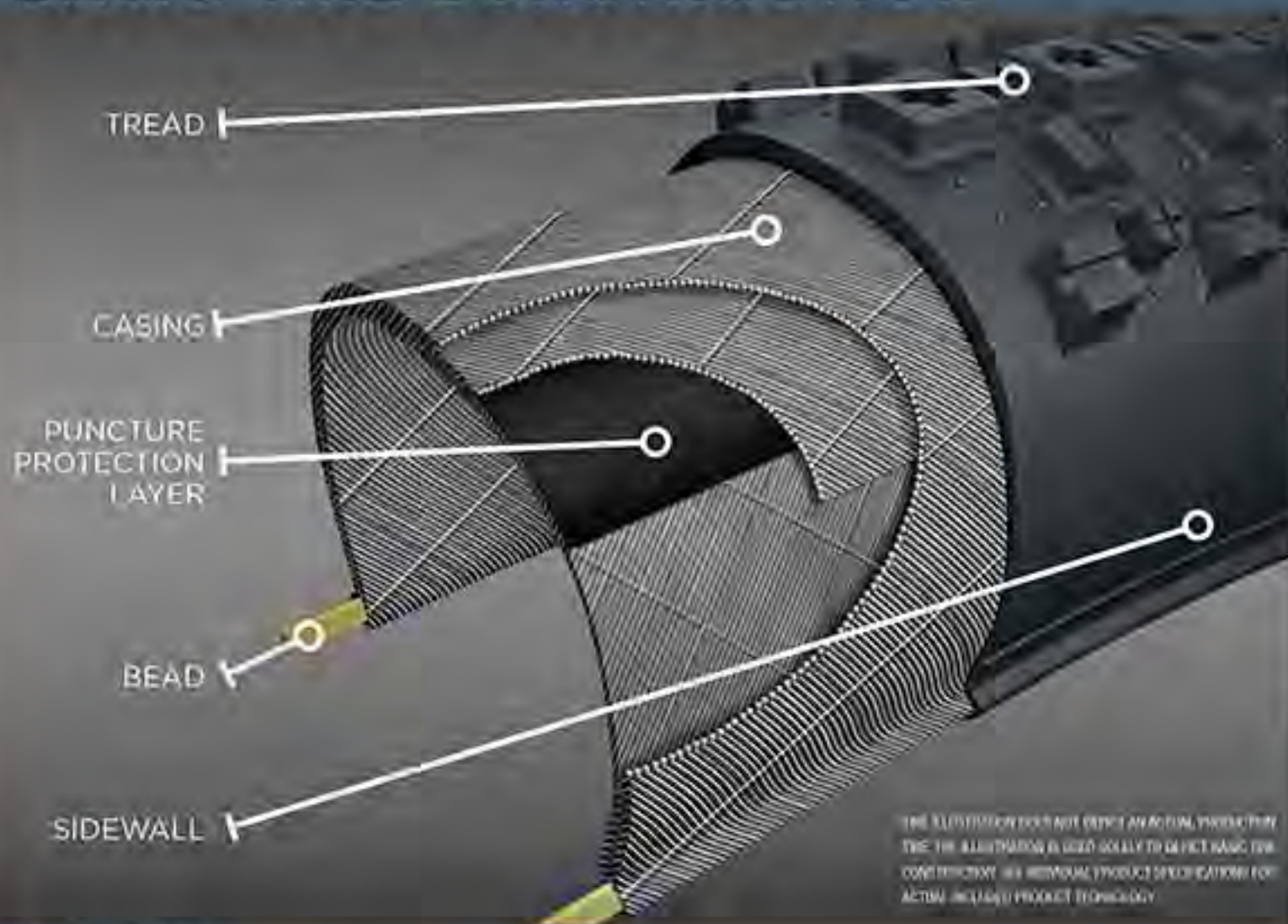
MAXXIS BICYCLE TIRE SAFETY

ITEM INFORMATION

- ❖ Consult your owner's manual for specific tire information.
- ❖ Clearance around tires must be maintained. Increasing tire size may require an increased rim width. Inspect tires closely for sufficient clearance.
- ❖ Always wear protective eyewear when installing inner tubes or tires.
- ❖ When replacing tires, be sure to also replace the inner tubes. Stretched inner tubes can crease and fail due to thinning of the inner tube rubber.
- ❖ Consult your bicycle professional for correct rim strip replacement.
- ❖ Make sure your tube size markings match the tire size.
- ❖ Use tire only for designated terrain, on an appropriate bicycle and using proper safety equipment at all times.
- ❖ Follow tire pressure guidelines located on your tire.
- ❖ Check tire pressure before every ride.
- ❖ Check your valve cores for damage. If valve cores are damaged, replace them.
- ❖ Check your tires for damage before and after riding. Punctured, cracked, bulging or blistered tires should be replaced immediately. If not replaced, damage can result in sudden and complete tire failure.
- ❖ Check to ensure that the beads of the tires are fully and evenly seated around the entire circumference of the rims before every ride.
- ❖ After replacing worn tires, take time to become acquainted with the handling and performance of your new tires.
- ❖ Do not cut, sipe or otherwise modify your tires.
- ❖ Check for broken or damaged spokes and replace as necessary.
- ❖ Replace bent or damaged rims or wheels immediately.
- ❖ Liquid sealants should only be used in the following types of tires: Tubeless Road, Tubular, and Tubeless Ready. The use of liquid sealants in any other Maxxis tire will void the warranty.
- ❖ Tube-type tires should only be used in conjunction with an inner tube on an approved rim.
- ❖ Do not store tires in direct sunlight for extended periods of time.
- ❖ Allowing tires to stand in oil, gasoline or other chemicals may have an adverse effect on the rubber compounds of the tire.
- ❖ Failure to follow these guidelines can result in accelerated tread wear and may cause catastrophic tire failure.



BASIC TIRE CONSTRUCTION



CASING

SINGLE-PLY CASING

One layer of nylon wrapped from bead to bead. A single-ply casing conforms well to the terrain and is lighter weight.

DOWNHILL (DH) CASING

Two layers of casing material are used from bead to bead, providing additional protection and sidewall stiffness for downhill applications.

THREADS PER INCH (TPI)

The number of threads that cross through one square inch of a single ply of the tire's casing. Lower TPI gives better puncture, cut and abrasion resistance but is heavier. Higher TPI conforms better to the terrain, offering a smoother, more comfortable ride while reducing the weight of the tire.

Maxxis TPI ratings are the threads-per-inch of a single casing ply, as compared to some competitor TPI ratings.



BEAD

TUBELESS READY

The function of the bead is to keep the tire in contact with the rim while the tire is inflated.

WIRE BEAD

A rigid metal wire is utilized as bead material in applications where ultimate strength is needed and transportability is not a factor.

FOLDABLE BEAD

Foldable beads also keep the tire secured to the rim but are lighter weight and easily transported. The bead is made of spun aramid or Kevlar® fibers.

CARBON FIBER BEAD

A flexible material with greater strength to withstand the forces exerted by a high-pressure road tire.

Tubeless tires provide the rider with many benefits: the ability to run lower air pressures, which improves traction; lower rolling resistance when compared to a tube-type tire; and less chance of flattening since there is no tube. Maxxis Tubeless Ready (TR) tires provide the benefits of a UST tubeless tire without the weight penalty.

Liquid sealants should only be used in the following types of tires: Tubeless Road, Tubular, and Tubeless Ready. The use of liquid sealants in any other Maxxis tire will void the warranty.





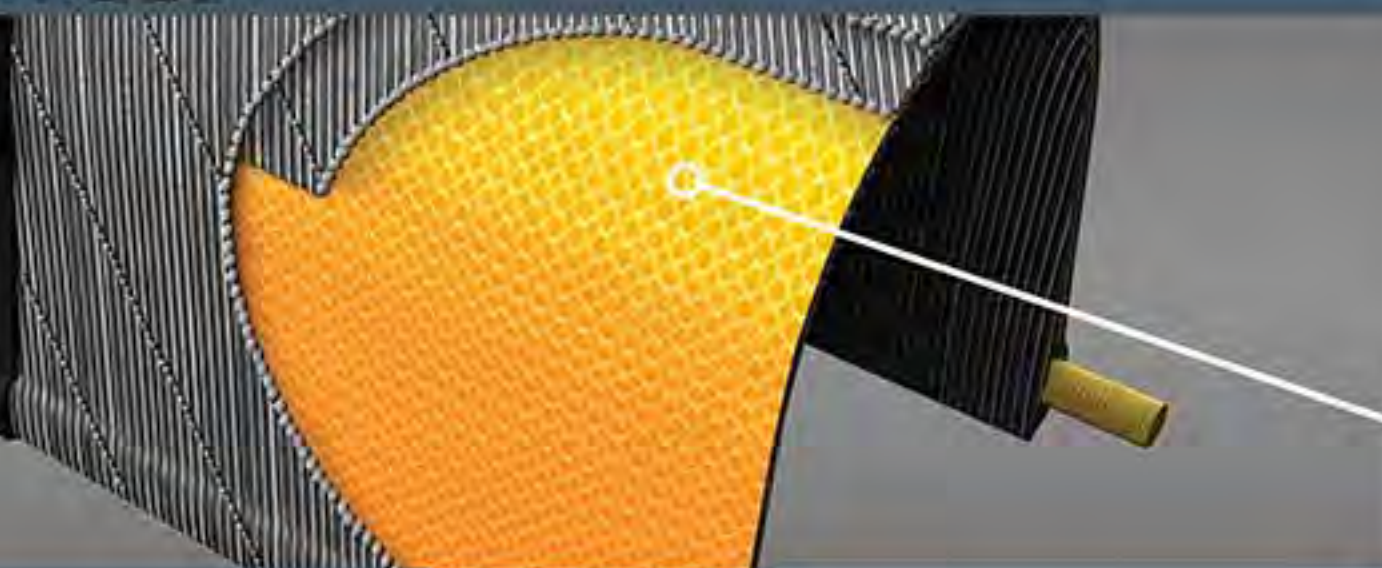
NYLON BREAKER

The nylon breaker is a reinforcement option that offers protection from punctures directly under the tread area. The nylon breaker is available in select road tires.



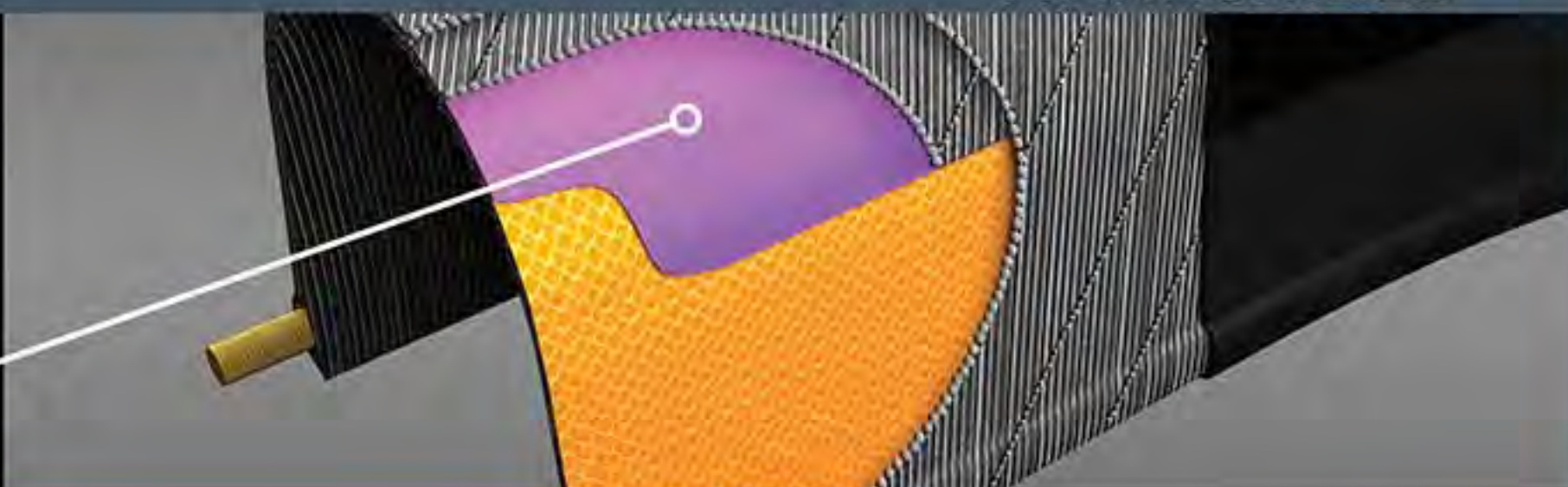
SILKSHIELD

SilkShield offers protection from bead to bead whereas SilkWorm is found under the tread only. SilkShield provides an additional level of protection for sidewalls in addition to under the tread.



MAXXSHIELD

MaxxShield represents the ultimate in flat protection. We begin with our SilkShield bead to bead protection and add our K2 (Kevlar Composite) layer under the tread for unparalleled durability.



TECHNOLOGY PROTECTION



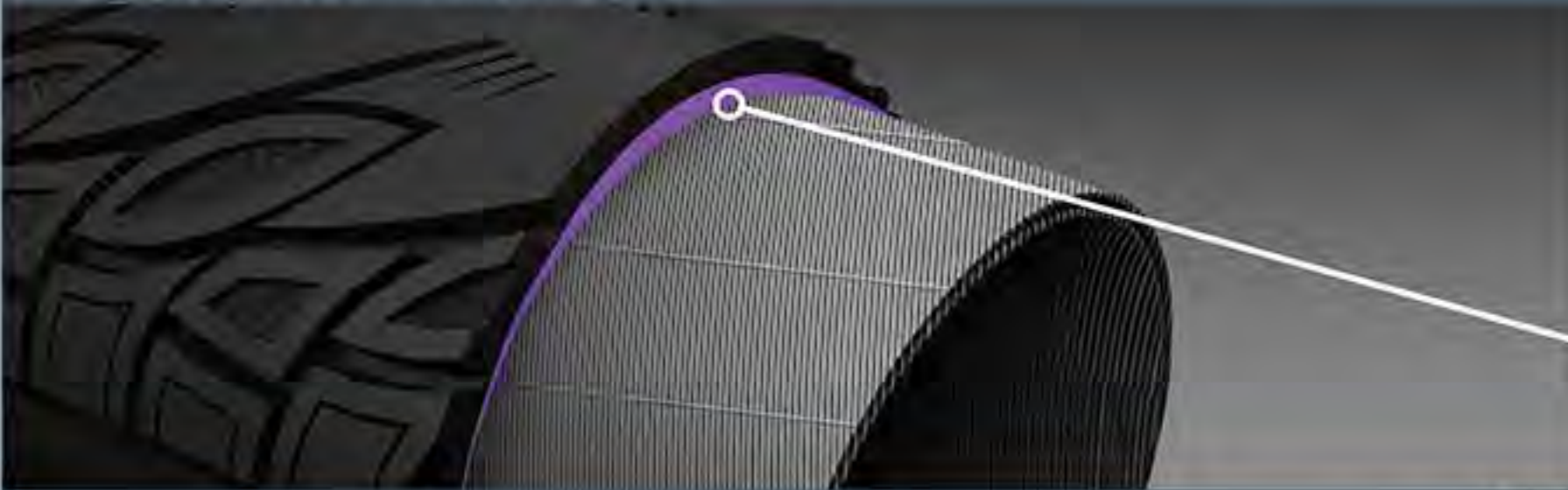
MAXX PROTECT

A poly-fiber material positioned between the tire tread and the casing. With varying thicknesses of 0.9mm - 1.5mm, MaxxProtect is designed to maximize puncture resistance in select hybrid models.



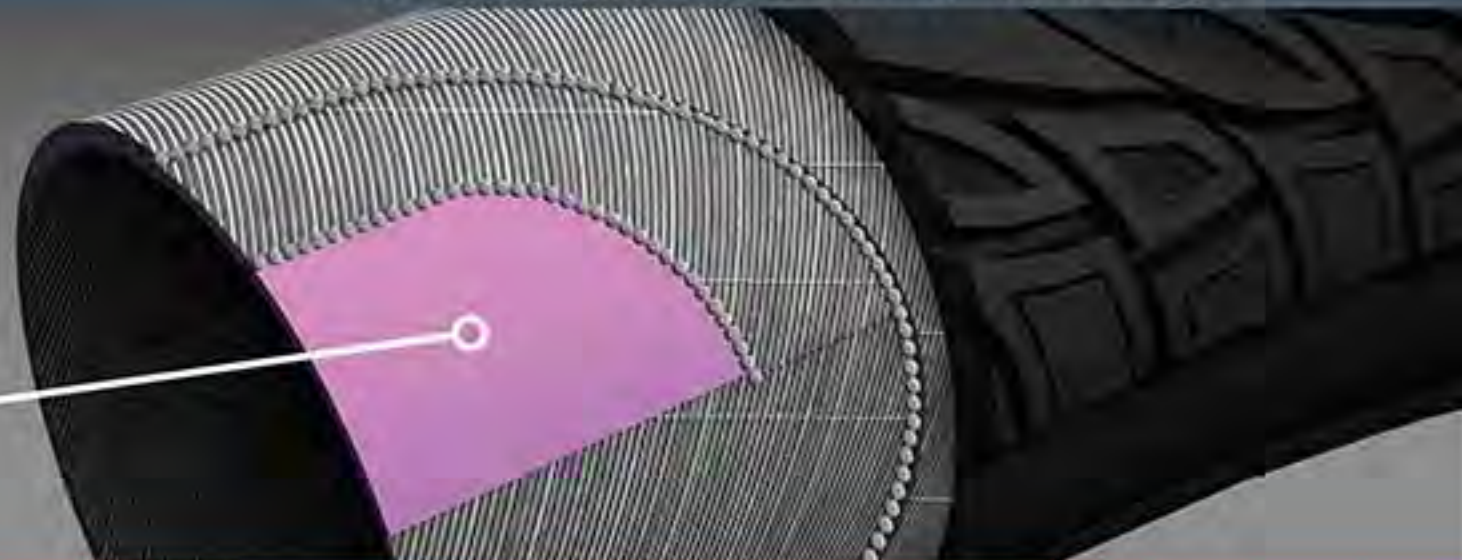
KEVLAR® INSIDE

A Kevlar® material positioned between the tire tread and the casing. Similar to MaxxProtect technology, Kevlar® Inside varies in thickness and provides optimal puncture protection.



KEVLAR® COMPOSITE

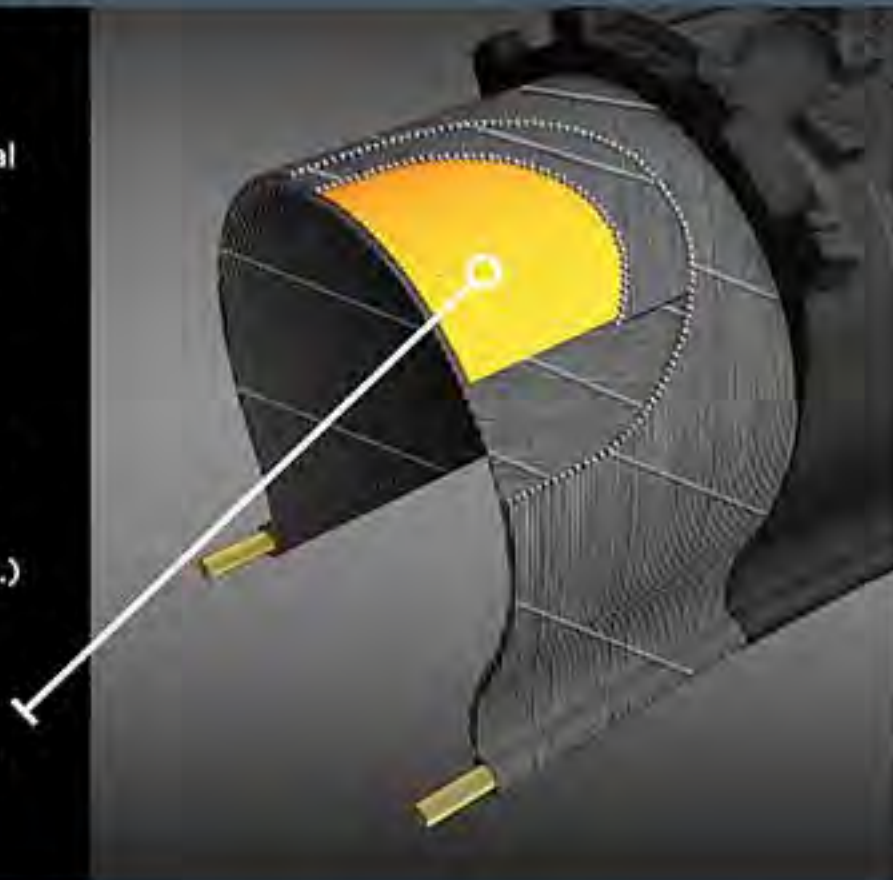
Available in select tires, this Maxxis-exclusive fabric provides greater puncture protection than both standard Kevlar® and Vectran®. The addition of this lightweight and supple material ensures that ride quality and performance remain unsurpassed.





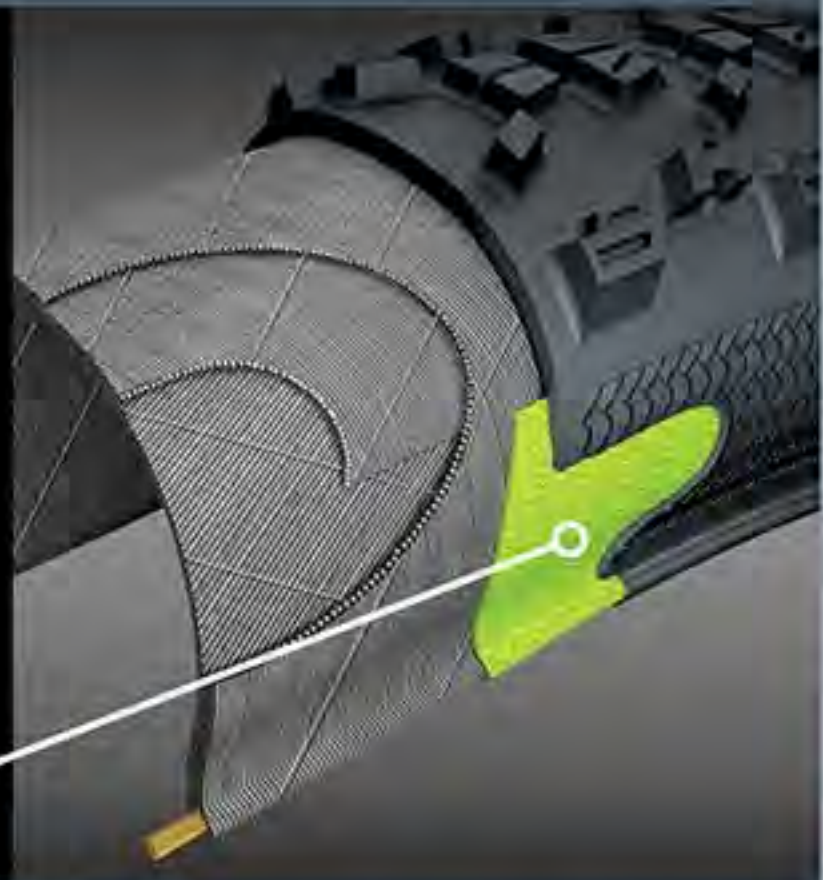
SILKWORM

Silkworm Technology is an exclusive material incorporated into the casing of select models, increasing puncture and tear resistance. Silkworm is featured under the tread as a breaker (denoted as Silkworm.)



EXO

An extremely cut-resistant and abrasion-resistant material added to the sidewalls of select mountain tires. This densely woven fabric is also lightweight and highly flexible, ensuring that the performance of the tire remains unaffected. Choose EXO Protection for exceptionally rocky, treacherous trails where the chance of sidewall cuts and abrasions is high.



L.U.S.T

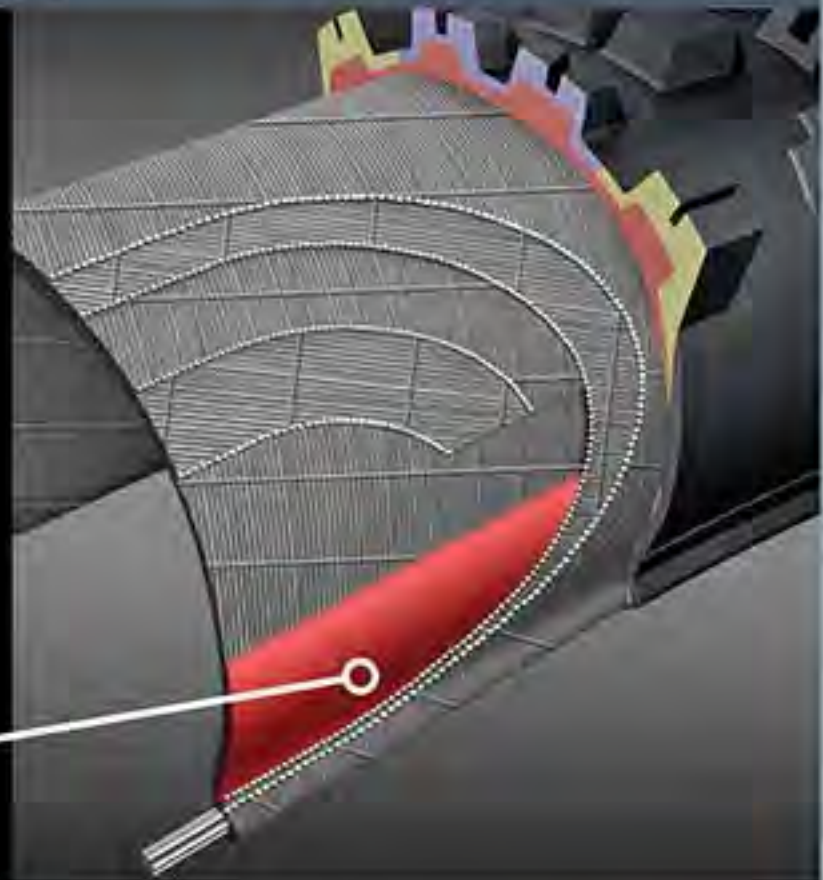
Maxxis mountain tubeless tires, certified to UST standards, featuring Lightweight Ultimate Sidewall Technology (L.U.S.T.). This technology offers better puncture resistance, improved air retention, better longevity and lower weight than previous tubeless technologies. By adding a thin fabric layer to the sidewall, covered in a special airtight rubber compound, Maxxis created a casing that is lighter, tougher and holds air better.



BUTYL INSERT

An extra piece of butyl rubber that extends from the bead of a downhill tire up into the sidewall. The butyl insert helps prevent pinch flats, protects the rim from hard hits and adds sidewall stability.

BUTYL INSERT



TECHNOLOGY PROTECTION

TUBULAR

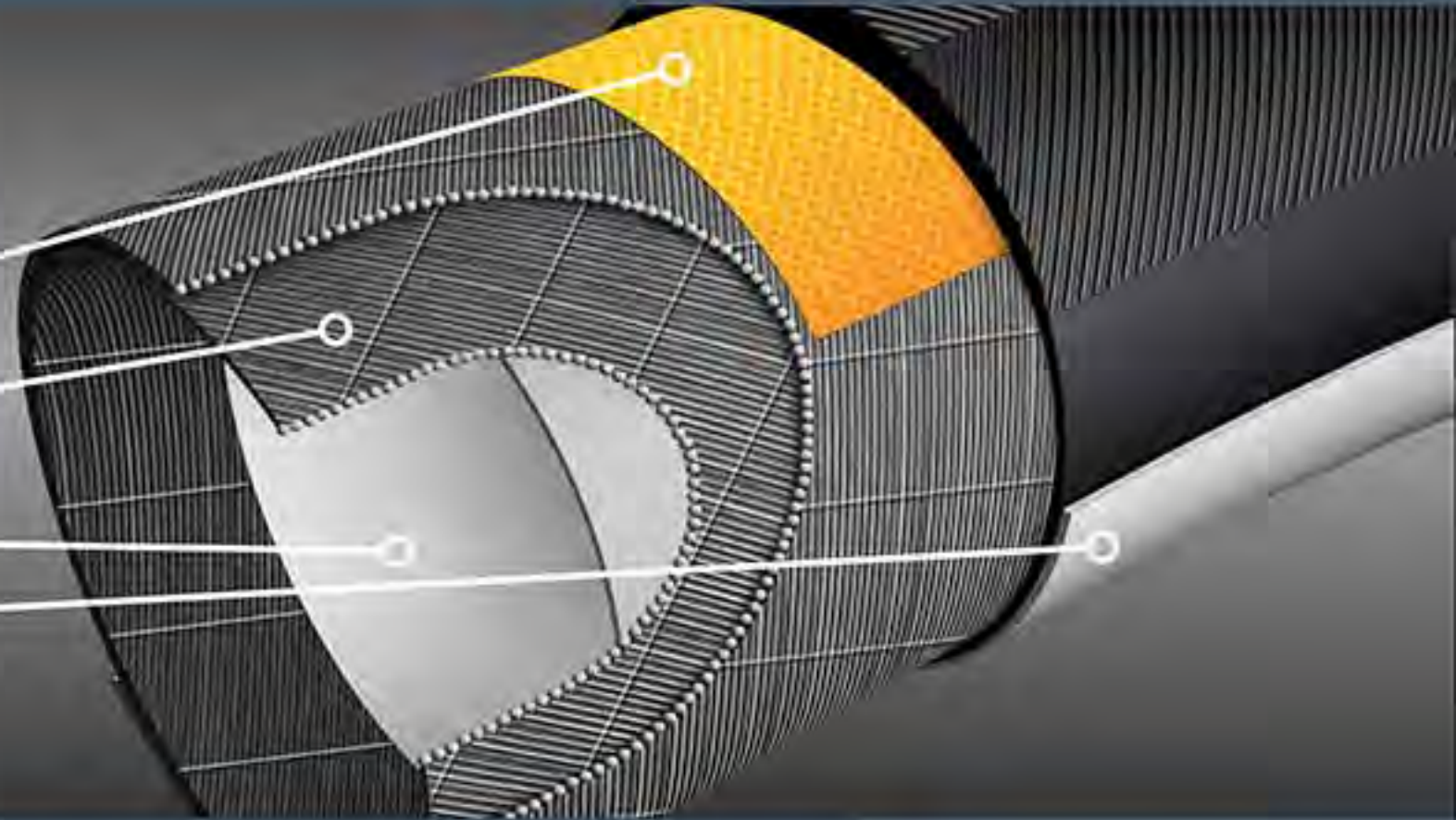
A traditional tire construction in which the tire casing is sewn or wrapped around an inner tube. These types of tires must be glued or taped onto tubular-specific rims.

PUNCTURE PROTECTION LAYER

CASING

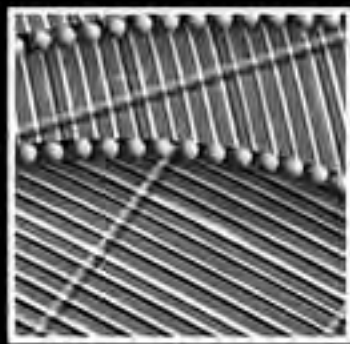
INNER TUBE

CLOTH BASE TAPE



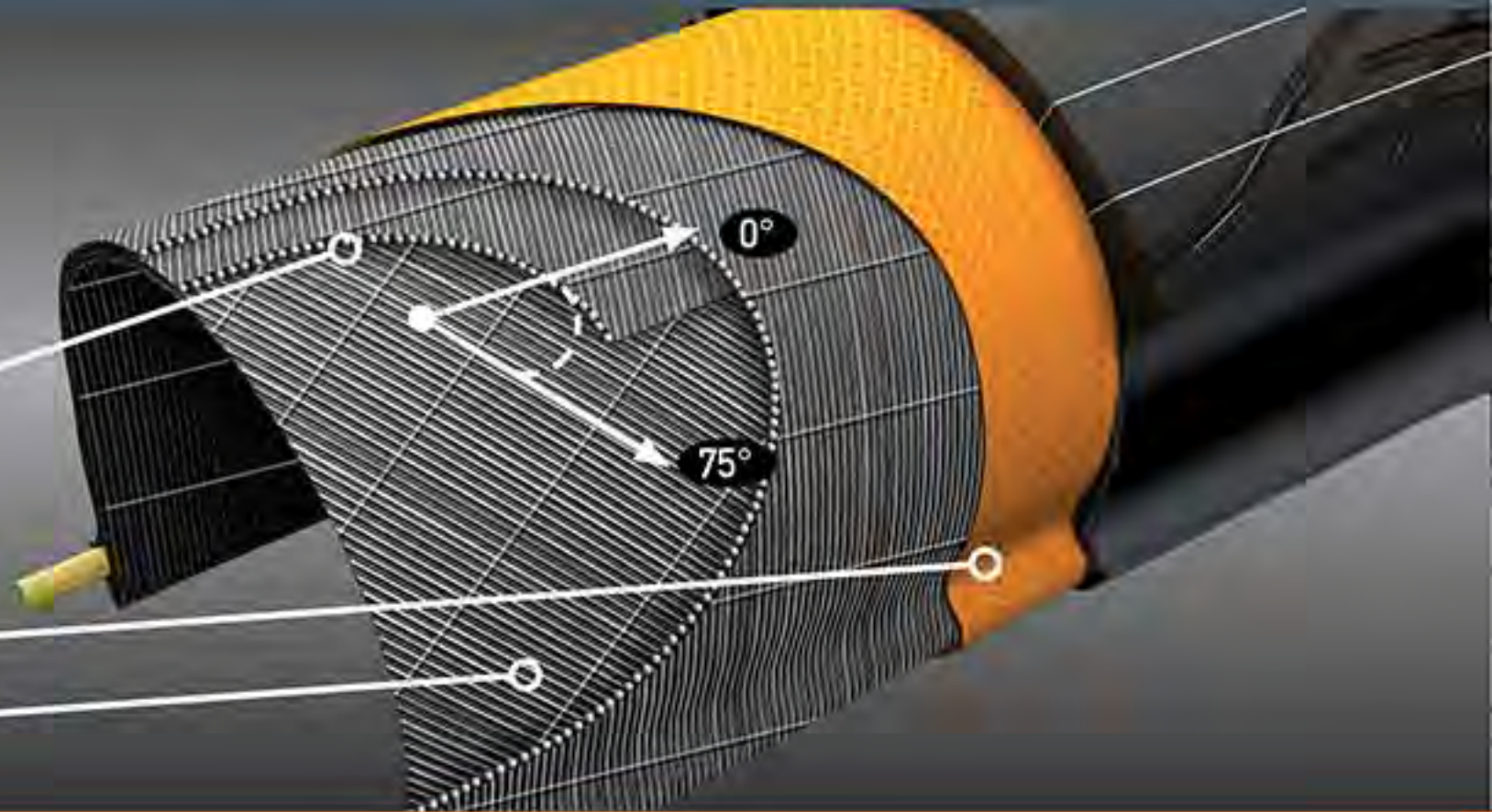
RADIAL ROAD

A radial construction orients the casing threads perpendicular to the direction of rotation. This allows the sidewall to easily bend and flex, resulting in a very compliant and supple ride.



PUNCTURE PROTECTION LAYER

RADIAL CONSTRUCTION





TUBELESS ROAD

Tubeless technology that combines a carbon fiber bead for strength and a butyl inner liner for air retention to eliminate the need for an inner tube. The puncture protection layer helps prevent damage from road debris. Choose Maxxis tubeless road tires for the ultimate road experience.

PUNCTURE PROTECTION LAYER

BUTYL INNER LINER

CARBON FIBER BEAD

BEAD CUSHION

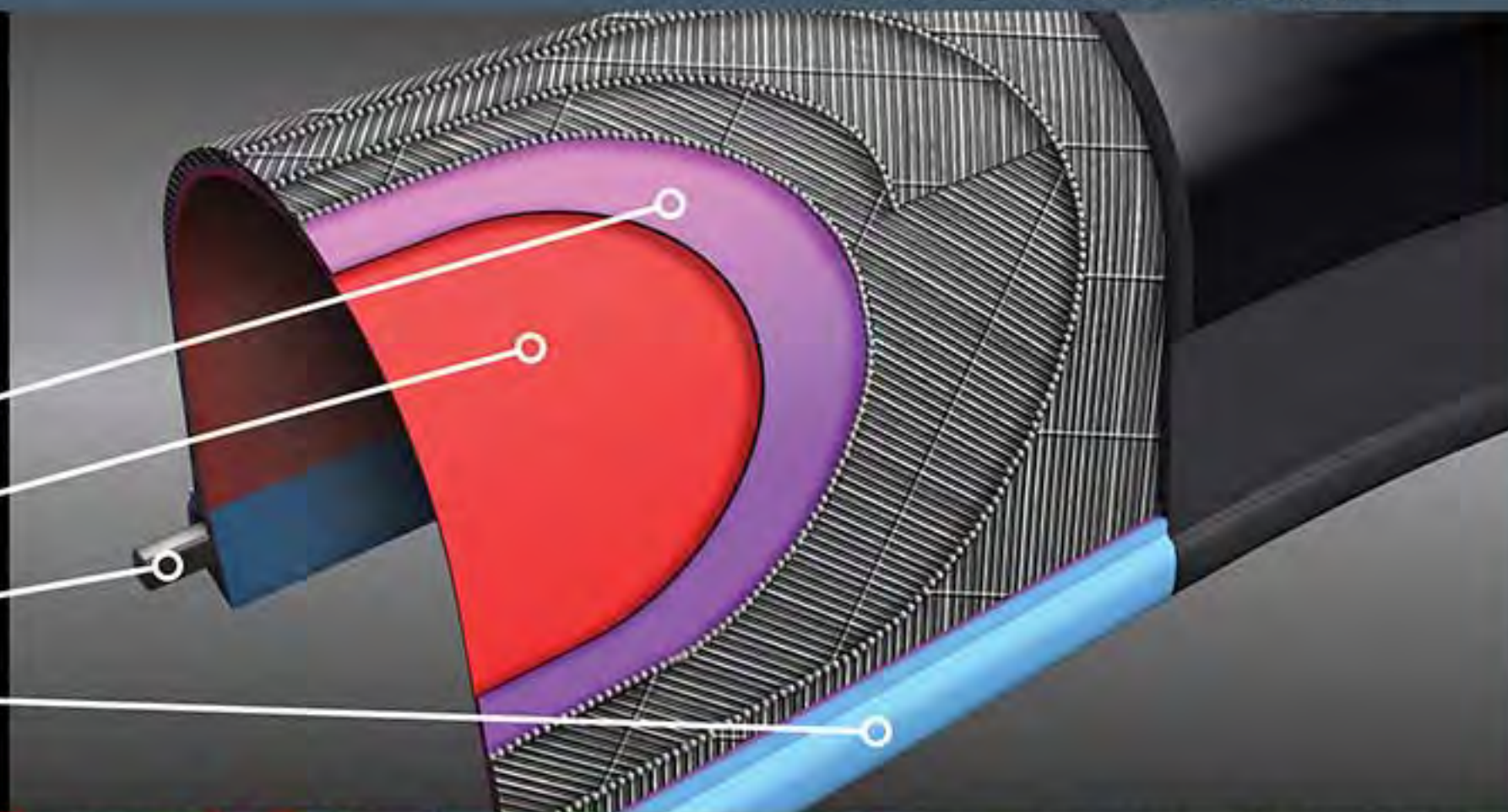


PHOTO: UNITEDHEALTHCARE PRO CYCLING TEAM

TECHNOLOGY TUBELESS

RUBBER COMPOUNDS

The most important part of a tire is arguably the rubber compound within the tread. By changing the amounts of various components of the rubber formula, engineers can make two identical looking tires perform completely differently. A list of the Maxxis compounds and their distinct characteristics is below.

SINGLE

One compound throughout the tread optimized for longevity and performance.

DUAL

Two compounds used within the tread of select tires to offer lower rolling resistance and increased cornering grip.



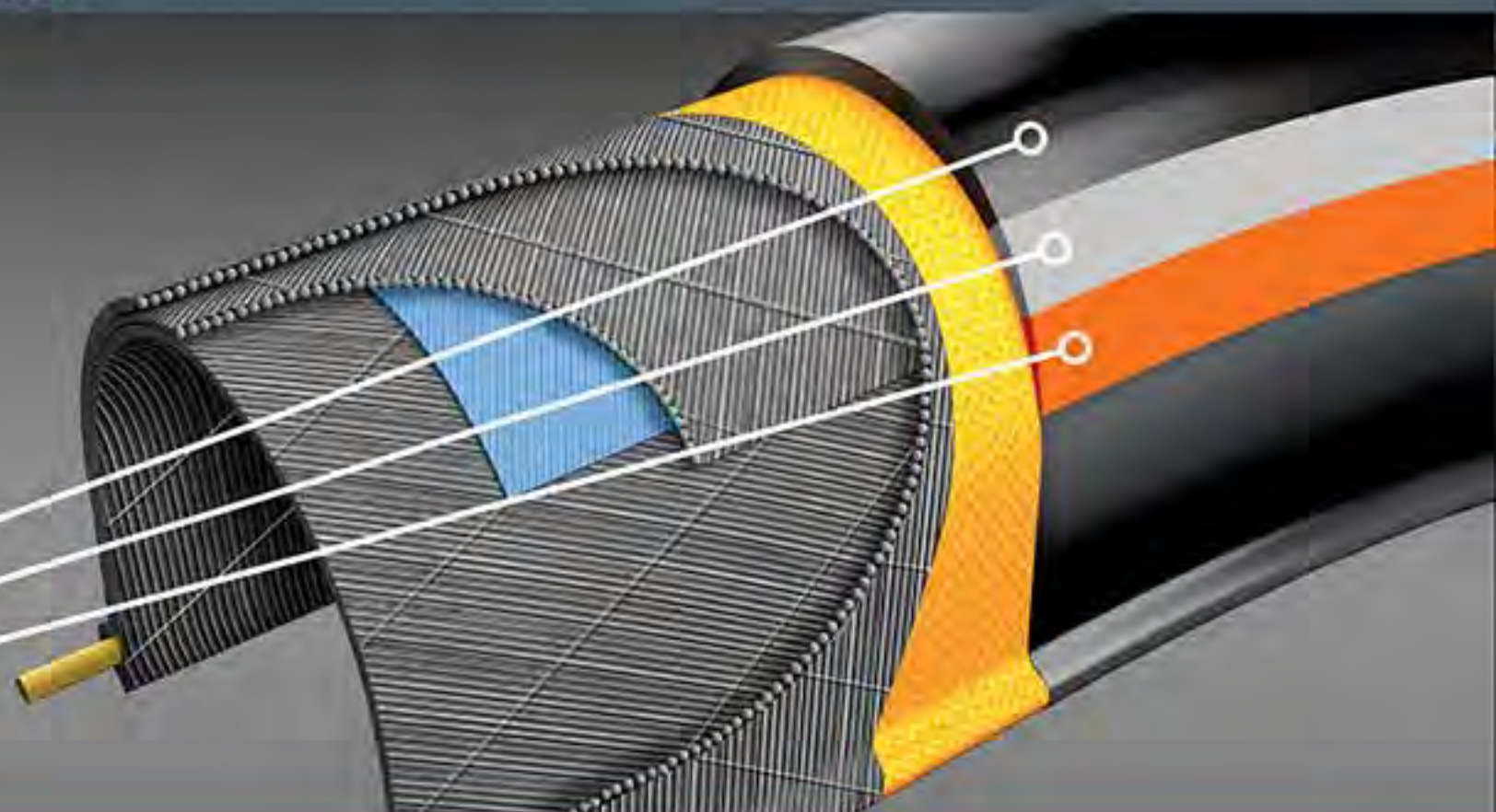
SUPER TACKY A special low rebound, high traction compound used in select mountain tires.



PHOTO: WRAGG

3C TRIPLE COMPOUND ROAD

Triple Compound road technology utilizes three distinct silica compounds in different locations within the tread of the tire. The center compound is optimized for exceptional treadwear and low rolling resistance. The progressively softer shoulder compounds provide increased grip while cornering. Choose a Triple Compound Maxxis road tire for the ultimate in tire handling in all conditions.





3C TRIPLE COMPOUND MOUNTAIN

Maxxis 3C Triple Compound mountain technology uses a harder, longer lasting base layer and two progressively softer top layers in order to optimize traction and stability. Maxxis offers three different configurations of our 3C Triple Compound mountain technology: Maxx Speed, Maxx Terra and Maxx Grip.



MAXX SPEED Used primarily in cross country and enduro tires, the two compounds in the outer layer are specially formulated to reduce rolling resistance and optimize treadwear and traction.

MAXX TERRA An intermediate compound configuration used in select mountain tires. 3C Maxx Terra is softer and offers more traction than 3C Maxx Speed, yet provides better treadwear and less rolling resistance than Maxx Grip.

MAXX GRIP A new name for the downhill 3C compound configuration that you have come to know and trust. 3C Maxx Grip offers the ultimate in grip and slow rebound properties for unparalleled traction in downhill applications.

TECHNOLOGY COMPOUNDS

ROAD/HYBRID

MODEL	RACING	SPORT	TRAINING	URBAN COMMUTE	PUNCTURE PROTECTION
CAMPIONE	////				2 3 4
CAMPIONE TT	////				1 2 3 4
RADIALE-TL	////				2 3 4
CORMET	////				1 2 3 4
COLUMBIERE	////				2 3 4
DOLOMITES	////				1 2 3 4
ROULER	////				2 3 4
RELIX	////				1 2 3 4
RELIX TT	////				1 2 3 4
PADRONE TR	////				1 2 3 4
COURCHEVEL	////				2 3 4
PADRONE	////				1 2 3 4
FORZA	////				2 3 4
DETONATOR	////				1 2 3 4
RE-FUSE	////				2 3 4
DETONATOR HYBRID	////				1 2 3 4
OVERDRIVE				////	2 3 4
OVERDRIVE ELITE				////	1 2 3 4
OVERDRIVE II				////	2 3 4
ROAMER				////	1 2 3 4
GYPSY				////	2 3 4

1 = Lowest Protection / 4 = Highest Protection

BMX/TRIALS

MODEL	DIRT	STREET	PARK	FLAT	VERT
MAXXDADDY	////				
CREEPY CRAWLER	////				
HOLY ROLLER	////				
DTH	////				
TORCH	////				
RIZER	////				
HOOKWORM	////				
GRIFTER	////				

URBAN

MODEL	DIRT	STREET	PARK	FLAT	VERT
HOLY ROLLER	////				
DTH	////				
TORCH	////				
HOOKWORM	////				
GRIFTER	////				

FAT BIKE

MODEL	HARD PACK	LOOSE OVER HARD	MEDIUM	LOOSE	WET	MUD	CORNERING CONTROL	ROLLING EFFICIENCY
MAMMOTH	////						2 3 4	1 2 3 4
CHRONICLE	////						1 2 3 4	1 2 3 4



MOUNTAIN/DOWNHILL

MODEL	HARD PACK	LOOSE OVER HARD	MEDIUM	LOOSE	WET	MUD	CORNERING CONTROL	ROLLING EFFICIENCY
MAXXLITE	////						1 2 3 4	1 2 3 4
TREAD LITE	////						1 2 3 4	1 2 3 4
ASPEN	////	////					1 2 3 4	1 2 3 4
CROSSMARK	////	////					1 2 3 4	1 2 3 4
IKON	////	////	////				1 2 3 4	1 2 3 4
SNYPER		////	////				1 2 3 4	1 2 3 4
IGNITOR		////	////				1 2 3 4	1 2 3 4
ARDENT RACE		////	////				1 2 3 4	1 2 3 4
GRIFFIN	////	////	////				1 2 3 4	1 2 3 4
MINION DHF		////	////	////			1 2 3 4	1 2 3 4
MINION DHR II		////	////	////			1 2 3 4	1 2 3 4
ARDENT		////	////	////			1 2 3 4	1 2 3 4
HIGH ROLLER		////	////	////			1 2 3 4	1 2 3 4
HIGH ROLLER II		////	////	////			1 2 3 4	1 2 3 4
BEAVER				////			1 2 3 4	1 2 3 4
SHORTY				////			1 2 3 4	1 2 3 4
WETSCREAM					////		1 2 3 4	1 2 3 4

CYCLOCROSS

MODEL	HARD PACK	LOOSE OVER HARD	MEDIUM	LOOSE	WET	MUD	CORNERING CONTROL	ROLLING EFFICIENCY
RAZE	////	////	////				1 2 3 4	1 2 3 4
LARSEN MIMO CX		////	////	////			1 2 3 4	1 2 3 4
MUD WRESTLER		////	////	////	////		1 2 3 4	1 2 3 4



ROAD



PHOTO: DEBYCH

CAMPIONE

NEW

CAMPIONE TT



PART #	SIZE	ETRTO	TPI	BEAD	WEIGHT	COMPOUND	MAX PSI	COLOR	TECH
TB88104000	28"x23		120	N/A	265 g	3C	170	Black	3C/K2
NEW TB88205000	28"x25		120	N/A	290 g	3C	170	Black	3C/K2

RACING	SPORT	TRAINING	URBAN COMMUTE	PUNCTURE PROTECTION
1	2	3	4	5

PART #	SIZE	ETRTO	TPI	BEAD	WEIGHT	COMPOUND	MAX PSI	COLOR	TECH
TB88104100	28"x23		120	N/A	250 g	3C	170	Black	3C
TB88205100	28"x25		120	N/A	265 g	3C	170	Black	3C

RACING	SPORT	TRAINING	URBAN COMMUTE	PUNCTURE PROTECTION
1	2	3	4	5

- M6R
- TUBULAR RACING TIRE
- 120-TPI CASING
- 3C TRIPLE COMPOUND TECHNOLOGY
- K2 (KEVLAR COMPOSITE) PUNCTURE PROTECTION (UNDER TREAD)
- SILKWORM PUNCTURE PROTECTION (UNDER TREAD)

The Campione is the race-specific tubular tire from Maxxis. The supple, high-TPI casing provides the ultimate in ride quality and feel, while the three compounds used in the tread lower rolling resistance and increase cornering grip. And because its Kevlar® Composite (K2) breaker outperforms both Vectran® and regular Kevlar® breakers, the Campione will get you to the finish line. The Campione is the obvious choice for the traditional road racer.

- M6R
- TUBULAR
- 3C TRIPLE COMPOUND TECHNOLOGY
- PRO ROAD COMPETITION TIRE

Our goal with the Campione TT was to create our lightest tubular race tire to date. We started with the proven tread pattern, casing, and 3C Triple Compound of the Campione, but removed any added puncture protection. The result is a lighter weight tire, with a very supple ride, perfect for use in time trials or on the velodrome.



THE WORD

The 25c Campione tubular tire is far and away the best tire I've ever raced. I use it for every race and in ALL conditions.

Rob Britton, Team Smartstop



PRO TIP

Take your time when gluing tubular tires. A little extra attention will give you a securely mounted tire with no wobbles or hops. Or, just take them to your local mechanic!

FORZA



PART #	SIZE	ETRTO	TPI	BEAD	WEIGHT	COMPOUND	MAX PSI	COLOR	TECH
TB88102000	28"x23		60	N/A	285 g	Dual	170	Black	Silkworm
NEW TB88200000	28"x25		60	N/A	310 g	Dual	170	Black	Silkworm

RACING	SPORT	TRAINING	URBAN COMMUTE	PUNCTURE PROTECTION
	1			2 3 4

- ❖ MBS
- ❖ TUBULAR SPORT TRAINING TIRE
- ❖ 60-TPI CASING
- ❖ DUAL-COMPOUND RUBBER
- ❖ SILKWORM PUNCTURE PROTECTION (UNDER TREAD)

The Forza is the tubular tire for sport training. The casing provides the optimal mixture of performance and durability, and the dual-compound tread ensures that the tire will last for many miles, yet still grip hard when needed most. The proprietary Silkworm breaker makes the Forza extremely resistant to cuts and punctures. Choose the Forza if you prefer the feel of tubulars every day.

THE WORD



The 25c tubulars are the nicest tires I have ridden. They give us all an edge to our racing, especially in the rain. I wouldn't want to rail a sharp corner in the final sprint of a race without these tires on my bike.

*Team Smartstop, Kris Dahl
(Current Canadian U23 Time Trial National Champion)*



PHOTO: DEVICH

PADRONE

NEW

PADRONE TR



PART #	SIZE	ETRTO	TPI	BEAD	WEIGHT	COMPOUND	MAX PSI	COLOR	TECH
TB81794000	700x23C	23-622	120	Carbon Fiber	295 g	Dual	125	Black	Silkworm
NEW TB86470100	700x25C	25-622	120	Carbon Fiber	310 g	Dual	125	Black	Silkworm

RACING	SPORT	TRAINING	URBAN COMMUTE	PUNCTURE PROTECTION
1	2	3	4	5

- I-MAX
- TUBELESS ROAD
- SILKWORM PUNCTURE PROTECTION
- HIGH-STRENGTH CARBON FIBER BEAD
- DUAL-COMPOUND

The Padrone is designed with dual-compound technology for enhanced treadwear and improved cornering control. This tubeless road tire also uses our proprietary Silkworm material for puncture protection, along with a high-strength carbon fiber bead. Maxxis' tubeless technology allows the Padrone to easily conform to the road surface, resulting in the highest ride quality.

PART #	SIZE	ETRTO	TPI	BEAD	WEIGHT	COMPOUND	MAX PSI	COLOR	TECH
TB81815100	700x23C	23-622	170	Carbon Fiber	260 g	Dual	125	Black	SilkShield/ONE70/TR
TB86459100	700x25C	25-622	170	Carbon Fiber	270 g	Dual	125	Black	SilkShield/ONE70/TR

RACING	SPORT	TRAINING	URBAN COMMUTE	PUNCTURE PROTECTION
1	2	3	4	5

- M217RU
- TUBELESS READY ROAD RACING TIRE
- CARBON FIBER BEAD
- DUAL-COMPOUND
- ONE70 TECHNOLOGY

Building on the legacy of our original Padrone road tubeless tire is the Padrone-TR (Tubeless Ready). Using Maxxis' TR technology from our mountain bike tires along with a ONE70 (170 TPI) casing and a carbon fiber bead, we were able to create a race-ready tubeless road tire weighing just 260g for a 23c size! The Padrone-TR also features our SilkShield technology, protecting the tire from bead to bead.



PRO TIP

Some tire and rim combinations can make for a very tight-fitting bead. A little bit of dish soap and water can really ease the mounting process. Make sure to clean any excess soap off of braking surfaces (rims or rotors) before riding.

RADIALE-TL



PART #	SIZE	ETRTO	TPI	BEND	WEIGHT	COMPOUND	MAX PSI	COLOR	TECH
TB86175000	700x22C	22-622	120	Carbon Fiber	285 g	Dual	125	Black	Silkworm
TB86425000	700x24C	24-622	120	Carbon Fiber	306 g	Dual	125	Black	Silkworm

RACING	SPORT	TRAINING	URBAN COMMUTE	PUNCTURE PROTECTION
				1 2 3 4

- ❖ M214U
- ❖ TUBELESS ROAD
- ❖ RADIAL CASING CONSTRUCTION
- ❖ DUAL-COMPOUND
- ❖ SILKWORM PUNCTURE PROTECTION

The Maxxis Radiale-TL pushes road racing tire technology to new levels. The Radiale-TL combines the excellent ride quality our radial casing tires are known for and adds the benefits of road tubeless compatibility. When used on a road tubeless-compatible wheel, the Radiale-TL offers a supple ride, excellent cornering traction and a reduced chance of flatting. The Radiale-TL has a lightweight 120 TPI casing, dual-compound rubber and our Silkworm for puncture protection. Choose the Radiale-TL for your next local crit or century ride.



RELIX

NEW



ONE70
170 TPI
SILKSHIELD

PART #	SIZE	ETRTO	TPI	BEAD	WEIGHT	COMPOUND	MAX PSI	COLOR	TECH
TB86238100	700x23C	23-622	170	Foldable	205 g	Dual	145	Black	ONE70/SilkShield
TB86372000	700x25C	25-622	170	Foldable	215 g	Dual	145	Black	ONE70/SilkShield

RACING	SPORT	TRAINING	URBAN COMMUTE	PUNCTURE PROTECTION
1	2	3	4	5

- M215
- ONE70 TECHNOLOGY
- SILKSHIELD PUNCTURE PROTECTION

The Relix is the latest in a long line of race-ready road clincher tires from Maxxis. The Relix uses our lightest and most supple 170 TPI casing (ONE70) along with SilkShield puncture protection, which protects both the sidewalls and the underside of the tread.

NEW



ONE70
170 TPI

PART #	SIZE	ETRTO	TPI	BEAD	WEIGHT	COMPOUND	MAX PSI	COLOR	TECH
TB86238200	700x23C	23-622	170	Foldable	160 g	Single	145	Black/Grey	ONE70

RACING	SPORT	TRAINING	URBAN COMMUTE	PUNCTURE PROTECTION
1	2	3	4	5

- M215
- ONE70 TECHNOLOGY
- PRO ROAD COMPETITION TIRE

The Relix TT is Maxxis' lowest rolling resistance road tire to date! It features our most supple ONE70 (170 TPI) casing and our fastest rolling rubber compound. The Relix TT is ideally suited for racing triathlons, time trials, and on the track. Due to its extremely light weight, the Relix TT is recommended only for race applications.



THE WORD

Between you and the road, the only contact is your tires. It is of utmost importance that you can trust your tires 100%, and Maxxis has it right. I'm rolling with full confidence on every road, through every corner, down every descent, or up every climb.

Coryn Rivera, UnitedHealthcare Pro Cycling Team



PRO TIP

If you keep a spare tube in a saddle bag or hydration pack, be sure to check it at least once a season. It's possible for loose tools, keys, friction, etc. to cause a puncture. Putting your spare tube inside a small plastic bag will go a long way toward protecting it.

COURCHEVEL



CORMET



PART #	SIZE	ETRTO	TPI	BEAD	WEIGHT	COMPOUND	MAX PSI	COLOR	TECH
TB86345300	700x23C	23-622	120	Foldable	225 g	3C	130	Black / Grey / Grey	3C/MaxxShield

RACING	SPORT	TRAINING	URBAN COMMUTE	PUNCTURE PROTECTION
1	2	3	4	1 2 3 4

- M201-3C
- 3C TRIPLE COMPOUND TECHNOLOGY
- MAXXSHIELD PUNCTURE PROTECTION
- PRO ROAD COMPETITION TIRE

Maxxis continues to push the boundaries of the road racing market. The Courchevel was reinvented from rubber to casing. 3C Triple Compound Technology offers better treadwear and improved cornering traction with excellent transition from compound to compound. MaxxShield provides the highest level of puncture resistance and sidewall protection.

PART #	SIZE	ETRTO	TPI	BEAD	WEIGHT	COMPOUND	MAX PSI	COLOR	TECH
TB86331200	700x23C	23-622	170	Foldable	200 g	Single	130	Black	ONE70/Nylon Breaker

RACING	SPORT	TRAINING	URBAN COMMUTE	PUNCTURE PROTECTION
1	2	3	4	1 2 3 4

- M208
- ONE70 TECHNOLOGY
- 2-PLY NYLON BREAKER PUNCTURE PROTECTION
- PRO ROAD COMPETITION TIRE

The Cormet, featuring ONE70 Technology, utilizes a 170 TPI high-thread-count casing, reducing rolling resistance even further than our other racing tires. ONE70 Technology also provides better road feel and weight savings over other racing tires. From the most aggressive crit to the most epic climb, the Maxxis Cormet with ONE70 Technology is destined for racing greatness.



THE WORD

We corner at absolute full speed hundreds of times within an hour criterium, always with absolute faith in our equipment and most importantly, with our only contact point to the road. I trust everything to my Maxxis tires.

Hannah Barnes, UnitedHealthcare Pro Cycling Team

COLUMBIERE

NEW

DOLOMITES



PART #	SIZE	ETRTO	TPI	BEAD	WEIGHT	COMPOUND	MAX PSI	COLOR	TECH
TB86356000	700x23C	23-622	120	Foldable	200 g	Single	130	Black	Nylon Breaker
TB86370000	700x25C	25-622	120	Foldable	205 g	Single	130	Black	Nylon Breaker

PART #	SIZE	ETRTO	TPI	BEAD	WEIGHT	COMPOUND	MAX PSI	COLOR	TECH
TB81806000	700x23C	23-622	120	Foldable	185g	Dual	130	Black	Silkworm

RACING	SPORT	TRAINING	URBAN COMMUTE	PUNCTURE PROTECTION
1	2	3	4	5

RACING	SPORT	TRAINING	URBAN COMMUTE	PUNCTURE PROTECTION
1	2	3	4	5

- M204
- GROOVED SLICK DESIGN
- 2-PLY NYLON BREAKER PUNCTURE PROTECTION
- PRO ROAD COMPETITION TIRE

The Columbiere is designed for true road racing enthusiasts. The Columbiere's slick design with subtle siping allows racers to cover ground in any condition with plenty of confidence.

- M210
- SILKWORM PUNCTURE PROTECTION
- PRO ROAD COMPETITION TIRE

Named after the rugged mountain range in Italy, the Dolomites was designed as a do-it-all competition road tire. With a lightweight 120 TPI casing and dual-compound rubber, the Dolomites is at home tackling big climbs and the descents afterwards. With our under-tread Silkworm puncture protection, the Dolomites can hold its own on rough roads.



THE WORD

This year is the first time I've ever ridden Maxxis tires, and I've been really impressed! At our training camp, I gave a fresh set of Columbiere tires a go on an unknown, dusty, twisty descent. To my enjoyment, I was able to fly through the corners! Even on one of the trickier corners that I misjudged, the tires were superb and held on to the road! (Actually, they saved me from some laughs from my new mates!) Most of our races have been on the Forza Tubulars, and those babies have been bomb-proof! The Silkworm puncture protection has kept me rolling, while many of the other riders have been relegated to the roadside.

Jonathon Frater, Jelly Belly pb Maxxis



PRO TIP

Road grit can work its way into the casing of a tire, eventually causing a puncture. That's why it's important to check for debris after a ride, especially if it's been raining.

ROULER



PART #	SIZE	ETRTO	TPI	BEAD	WEIGHT	COMPOUND	MAX PSI	COLOR	TECH
TB81793000	700x23C	23-622	120	Foldable	215 g	Dual	130	Black	Silkworm

RACING	SPORT	TRAINING	URBAN COMMUTE	PUNCTURE PROTECTION
1	2	3	4	5

- ❖ M3D
- ❖ PRO ROAD COMPETITION TIRE
- ❖ SILKWORM PUNCTURE PROTECTION

A lightweight, supple and race-ready tire, the Rouler features a 120 TPI casing for a smooth ride, a Silkworm breaker for puncture protection and a dual-compound tread pattern for improved cornering performance.

**PRO TIP**

For training, consider going with a 25c or even 28c tire if your frame can accommodate them. The increased volume does wonders for ride comfort, especially on long days in the saddle.

DETONATOR



PART #	SIZE	ETRTO	TPI	BEAD	WEIGHT	COMPOUND	MAX PSI	COLOR	TECH
TB86352100	700x23C	23-622	60	Foldable	230 g	Dual	120	Grey	Silkworm
TB86353700	700x23C	23-622	60	Foldable	220 g	Dual	120	White	—
TB86353000	700x23C	23-622	60	Foldable	230 g	Dual	120	Blue	Silkworm
TB86352000	700x23C	23-622	60	Foldable	230 g	Dual	120	Red	Silkworm
TB86351700	700x23C	23-622	60	Foldable	220 g	Dual	120	Lime	—
TB86352200	700x23C	23-622	60	Foldable	230 g	Dual	120	Yellow	Silkworm
TB86352300	700x23C	23-622	60	Foldable	230 g	Dual	120	Orange	Silkworm
TB86353600	700x23C	23-622	60	Foldable	220 g	Dual	120	Pink	—
TB86367500	700x25C	25-622	60	Foldable	250 g	Dual	120	Grey	Silkworm

RACING	SPORT	TRAINING	URBAN COMMUTE	PUNCTURE PROTECTION
1	2	3	4	5

- ❖ M203
- ❖ M-SHAPED GROOVED TREAD PATTERN
- ❖ SILKWORM PUNCTURE PROTECTION AVAILABLE
- ❖ TRAINING TIRE

With its dual-compound tread pattern, the Maxxis Detonator provides a durable training tire with a race pedigree. Softer silica compound on the outer edges of the tire allows for great traction in a variety of road conditions. The Detonator is durable enough to provide plenty of winter miles, yet supple and grippy enough to race on in the summer.

RE-FUSE



PART #	SIZE	ETRTD	TPI	BEAD	WEIGHT	COMPOUND	MAX PSI	COLOR	TECH
TB86336000	700x23C	23-622	60	Foldable	295 g	Single	120	Black	MaxShield
TB86359000	700x25C	25-622	60	Foldable	300 g	Single	120	Black	MaxShield
TB88505000	700x28C	28-622	60	Foldable	320 g	Single	120	Black	MaxShield

RACING	SPORT	TRAINING	URBAN COMMUTE	PUNCTURE PROTECTION
		1 2 3 4		

- ❖ M200
- ❖ DIAMOND-KNURLED SLICK DESIGN
- ❖ MAXXSHIELD PUNCTURE PROTECTION

Our most popular training tire, providing excellent training and commuting dependability. The Re-Fuse will rack up plenty of road miles in all riding conditions.



THE WORD

Riding up at our cabin in the deep Colorado mountains is always an adventure. With limited road choices, we are often on dirt roads with hours between car sightings. I have to count on my tires to get me back home, especially before the thunderstorms come in. My Maxxis Re-Fuse road tires continue to impress me, even when the road starts to look more like an ATV trail.

Kiel Reijnen, UnitedHealthCare Pro Cycling Team



PHOTO: JELLY BELLY CANDY COMPANY

ROAD CLINCHER



PART #	SIZE	ETRTO	TPI	BEAD	WEIGHT	COMPOUND	MAX PSI	TECH
TB88985200	700x33C	33-622	60	Foldable	355 g	Single	75	—

HARDPACK	LOOSE/HARD	MEDIUM	LOOSE	WET	MUD	CORNERING CONTROL	ROLLING EFFICIENCY
						1 2 3 4	1 2 3 4

- ❖ M206P
- ❖ VERSATILE CYCLOCROSS TREAD DESIGN

Accept no limitations. The diverse terrain of a cyclocross race requires a unique solution: the Raze. A fast-rolling center ridge with widely spaced side lugs sheds mud. The Raze's slightly softer compound remains pliable in cold conditions, and the improved casing maintains integrity at low pressures.

LARSEN MIMO CX

NEW

MUD WRESTLER



PART #	SIZE	ETRTO	TPI	BEAD	WEIGHT	COMPOUND	MAX PSI	TECH
TB91443000	700x35C	35-622	60	Foldable	300 g	Single	75	—

HARDPACK	LOOSE/HARD	MEDIUM	LOOSE	WET	MOO	CORNERING CONTROL	ROLLING EFFICIENCY
						3 4	2 3 4

- M125
- RAMPED ROUND KNOB DESIGN,
- FRONT OR REAR
- DIRECTIONAL TREAD

The MiMo CX is engineered for the wet terrain that cyclocross races are known for. Generous ramping on the larger knobs gives the MiMo CX low rolling resistance, while the smaller, round knobs in-between give extra bite in loose terrain.

PART #	SIZE	ETRTO	TPI	BEAD	WEIGHT	COMPOUND	MAX PSI	TECH
TB88992100	700x33C	33-622	60	Carbon Fiber	390 g	Dual	75	EXO/TR
TB88992200	700x33C	33-622	120	Carbon Fiber	370 g	Dual	75	EXO/TR

HARDPACK	LOOSE/HARD	MEDIUM	LOOSE	WET	MOO	CORNERING CONTROL	ROLLING EFFICIENCY
						3 4	2 3 4

- M209RU
- FAST-ROLLING RAMPED CENTER KNOBS
- SHEDS MUD QUICKLY
- AGGRESSIVE SIDE KNOBS FOR CONTROLLED CORNERING
- TUBELESS READY (TR)

The Mud Wrestler offers outstanding performance in wet conditions so common to this grueling race discipline. The center knobs are continuously ramped to roll fast, while the aggressive side knobs cut through the nastiest mud and snow. The Mud Wrestler sheds mud with ease thanks to its open tread design. If you are looking for an all-conditions race tire, then the Mud Wrestler is for you.



PRO TIP

Dropping your tire pressure by just a few PSI can really help with traction in wet, sloppy conditions. The tire will more easily conform to the surface, offering a larger contact patch and boosting your confidence!



HYBRID



PHOTO: MEAGHER

DETONATOR-HYBRID

OVERDRIVE



PART #	SIZE	ETRTO	TPI	BEAD	WEIGHT	COMPOUND	MAX PSI	COLOR	TECH
TB58908000	26x1.50	40/38-559	60	Foldable	440 g	Single	80	Black	—
NEW TB85917100	27.5x1.50	40-584	60	Foldable	485 g	Single	80	Black	—

RACING	SPORT	TRAINING	URBAN COMMUTE	PUNCTURE PROTECTION
		1 2 3 4		

- **M203**
- **M-SHAPED GROOVED TREAD PATTERN**
- **NARROW PROFILE FOR LOW WEIGHT**

The Detonator Hybrid uses the same tread pattern as one of our most popular road training tires and adapts it to a size perfect for commuting or road training on your mountain bike.

PART #	SIZE	ETRTO	TPI	BEAD	WEIGHT	COMPOUND	MAX PSI	COLOR	TECH
TB64110600	26x1.75x2	47-559	60	Wire	615 g	Single	50	Black	K2
TB95688700	700x38C	40-622	60	Wire	580 g	Single	75	Black	K2

RACING	SPORT	TRAINING	URBAN COMMUTE	PUNCTURE PROTECTION
			1 2 3 4	

- **M2003**
- **GROOVED SLICK DESIGN**
- **REFLECTIVE STRIPE FOR ADDED VISIBILITY**

Created to meet the demands of the European trekking market, the Overdrive has a grooved slick design for all-weather applications as well as our K2 puncture protection to provide excellent protection from encounters with road debris.



PRO TIP

Since the rear tire will wear faster than the front, rotate your tires every few hundred miles to keep them wearing evenly.

HYBRID

OVERDRIVE ELITE

NEW

OVERDRIVE II



PART #	SIZE	ETRTO	TPI	BEAD	WEIGHT	COMPOUND	MAX PSI	COLOR	TECH
TB20120000	20x1.15	28-406	60	Wire	255 g	Single	100	Black	K2
TB22910000	20x1.35	32-406	60	Wire	365 g	Single	100	Black	K2
TB64506000	26x1.75	42-559	120	Foldable	540 g	Dual	80	Black	K2
TB91438000	700x35C	35-622	120	Foldable	475 g	Dual	75	Black	K2

PART #	SIZE	ETRTO	TPI	BEAD	WEIGHT	COMPOUND	MAX PSI	COLOR	TECH
TB60867000	26x1.65	42-559	60	Foldable	540 g	Dual	80	Black	MaxShield
TB60867100	26x1.65	42-559	60	Wire	510 g	Single	80	Black	Silkworm

RACING	SPORT	TRAINING	URBAN COMMUTE	PUNCTURE PROTECTION

RACING	SPORT	TRAINING	URBAN COMMUTE	PUNCTURE PROTECTION

- M2013
- DUAL-COMPOUND
- K2 PUNCTURE PROTECTION
- REFLECTIVE STRIPE FOR ADDED VISIBILITY

The Overdrive Elite is our high-performance hybrid tire, featuring dual-compound technology and K2 Kevlar® Composite Puncture Protection to keep you rolling on the roughest roads. Also featuring a reflective sidewall stripe for nighttime visibility, the Overdrive Elite is built for the long haul, with a durable design for everything from city streets to country dirt roads.

- M2017
- VARIOUS PUNCTURE PROTECTION OPTIONS
- REFLECTIVE STRIPE FOR ADDED VISIBILITY

The Overdrive II is the next step in the evolution of our popular Overdrive series of commuter/ trekking tires. The smooth center rolls quickly along pavement, and the textured shoulders offer a bit more cornering grip in looser conditions. For added visibility while commuting in the morning fog or late evening, the Overdrive II features a reflective strip integrated into the sidewall. To top it all off, the Overdrive II uses either our MaxxShield or Silkworm puncture protection for the ultimate in flat prevention.



PRO TIP

Choosing a tire with a reflective stripe on the sidewall helps make you more visible when riding at night or in low-light conditions.

ROAMER

GYPSY



PART #	SIZE	ETRTO	TPI	BEAD	WEIGHT	COMPOUND	MAX PSI	COLOR	TECH
TB23110000	20x1.65	42-406	60	Wire	460 g	Dual	100	Black	Kevlar® Inside
TB60865000	26x1.65	42-559	60	Wire	605 g	Dual	80	Black	Kevlar® Inside
TB96354000	700x42C	44-622	60	Wire	715 g	Dual	75	Black	Kevlar® Inside
TB96356000	700x42C	44-622	60	Wire	690 g	Dual	75	Black	eBike/SilkShield

PART #	SIZE	ETRTO	TPI	BEAD	WEIGHT	COMPOUND	MAX PSI	COLOR	TECH
TB22781000	20x1.50	38-406	60	Wire	400 g	Dual	100	Black	Silkworm
TB58915000	26x1.50	38-559	60	Wire	495 g	Dual	80	Black	Silkworm
TB69917000	26x2.10	53-559	60	Wire	790 g	Dual	65	Black	eBike/SilkShield
TB95734000	700x38C	40-622	60	Wire	645 g	Dual	85	Black	SilkShield
TB95735000	700x38C	40-622	60	Wire	645 g	Dual	85	Black	eBike/SilkShield

RACING SPORT TRAINING **URBAN COMMUTE** PUNCTURE PROTECTION

- M2016P
- GROOVED SLICK DESIGN
- KEVLAR INSIDE AND SILK SHIELD OPTIONS AVAILABLE
- CONFORMS TO THE EUROPEAN ECE-R75 CERTIFICATION FOR E-BIKES

The Roamer is ready for anything from your daily commute, a trip to the store, or a long weekend of touring the back roads. The slick center rolls fast and the leaf-like tread on the shoulders provides extra cornering traction. To ensure lots of trouble-free miles, the Roamer uses a high-mileage rubber compound along with a 60 TPI casing with various puncture protection options.

RACING SPORT TRAINING **URBAN COMMUTE** PUNCTURE PROTECTION

- M2015/M2015P
- GROOVED SLICK DESIGN
- SILKWORM AND SILKSHIELD OPTIONS
- CONFORMS TO THE EUROPEAN ECE-R75 CERTIFICATION FOR E-BIKES

Unleash your inner wanderer with the Gypsy. To keep your adventure on course, the Gypsy uses a 60 TPI casing and our Silkworm breaker puncture protection beneath the tread. The Gypsy offers a durable yet comfortable ride with low rolling resistance and excellent traction.

HYBRID



MOUNTAIN



PHOTO: GIBSON

MAXXLITE

NEW

TREAD LITE



PART #	SIZE	ETRTO	TPI	BEAD	WEIGHT	COMPOUND	MAX PSI	TECH
TB89089000	26x2.00	50-559	170	Foldable	285 g	Dual	60	ONE70/Silkworm
TB85939000	27.5x2.00	50-584	170	Foldable	340 g	Dual	60	ONE70/Silkworm
TB96685000	29x2.00	50-622	170	Foldable	345 g	Dual	60	ONE70/Silkworm

PART #	SIZE	ETRTO	TPI	BEAD	WEIGHT	COMPOUND	MAX PSI	TECH
TB70064000	26x2.10	53-559	120	Foldable	530 g	Dual	60	TR
TB70064100	26x2.10	53-559	120	Foldable	565 g	Dual	60	EXO/TR
TB90946000	27.5x2.10	53-584	120	Foldable	560 g	Dual	60	TR
TB90946100	27.5x2.10	53-584	120	Foldable	595 g	Dual	60	EXO/TR
TB96669000	29x2.10	53-622	120	Foldable	590 g	Dual	60	TR
TB96669100	29x2.10	53-622	120	Foldable	630 g	Dual	60	EXO/TR

HARDPACK	LOOSE/HARD	MEDIUM	LOOSE	WET	MOO	CHUNKING CONTROL	ROLLING EFFICIENCY
						1 2 3 4	1 2 3 4

HARDPACK	LOOSE/HARD	MEDIUM	LOOSE	WET	MOO	CHUNKING CONTROL	ROLLING EFFICIENCY
						3 4	1 2 3 4

- M285 / M324
- RAMPED CENTER TREAD
- DUAL-COMPOUND
- SILKWORM PUNCTURE PROTECTION
- ONE70 TECHNOLOGY
- RACE USE ONLY

285 grams! A triumph of Maxxis engineering. With a dual-compound tread and our ONE70 TPI technology, the MaxxLite is the lightweight racing tire champion of the world. The blazing fast tread pattern of the MaxxLite is now available in 27.5 and 29-inch sizes!

- M336RU
- SEMI-SLICK
- EXO PROTECTION AVAILABLE
- TUBELESS READY (TR)

The Maxxis Tread Lite was designed to be a speed demon in dry conditions. The tire features a file tread pattern in the center with a low knob height to keep rolling resistance to a minimum. Ample side knobs provide grip in the corners and the 120 TPI tubeless ready casing offers a compliant, but durable ride. The Tread Lite is your choice for XC racing on dry, hardpack courses.



PRO TIP

If you're using a liquid sealant, be sure to check it regularly. Over time it will dry out, and if you get a puncture, your tire won't be able to seal. If you can't hear a little bit of sloshing around inside your tire, it may be time to add some new sealant.

ASPEN

CROSSMARK



PART #	SIZE	ETRTO	TPI	BEAD	WEIGHT	COMPOUND	MAX PSI	TECH
TB69797500	26x2.10	52-559	60	Foldable	560 g	Dual	65	—
TB69798000	26x2.10	52-559	120	Foldable	510 g	Dual	65	—
TB72557500	26x2.25	54-559	60	Foldable	590 g	Dual	65	—
TB96689000	29x2.10	52-622	120	Foldable	565 g	Dual	65	—

HARDPACK	LOOSE/HARD	MEDIUM	LOOSE	WET	WDR	CORNERING CONTROL	ROLLING EFFICIENCY
						1 2 3 4	1 2 3 4

- M316P
- RACE-INSPIRED LOW-PROFILE DESIGN
- AGGRESSIVE SIDE KNOBS
- DUAL-COMPOUND
- LIGHTWEIGHT XC RACE TIRE

The Aspen pushes the limits of a lightweight XC tire, designed to have minimal rolling resistance with a high-volume casing to smooth out the roughest roots and rocks. The dual-compound gives optimal traction in corners. So if crossing the finish line first is your top priority, the Aspen is for you.

PART #	SIZE	ETRTO	TPI	BEAD	WEIGHT	COMPOUND	MAX PSI	TECH
TB69784000	26x2.10	52-559	60	Foldable	570 g	Single	65	—
TB69783200	26x2.10	52-559	120	Foldable	515 g	Single	65	Silkworm
TB69783300	26x2.10	52-559	120	Foldable	570 g	Single	65	EXO
TB69624000	26x2.10	52-559	120	Foldable	725 g	Dual	60	LUST/UST
TB69613000	26x2.10	52-559	60	Foldable	585 g	Dual	60	TR
TB69613100	26x2.10	52-559	60	Foldable	620 g	Dual	60	EXO/TR
TB72548000	26x2.25	54-559	60	Foldable	640 g	Single	65	—
TB72545000	26x2.25	54-559	120	Foldable	885 g	Dual	60	LUST/UST
TB72570000	26x2.25	54-559	60	Foldable	615 g	Dual	60	TR
TB72570100	26x2.25	54-559	60	Foldable	665 g	Dual	60	EXO/TR
TB85910100	27.5x2.10	53-584	60	Foldable	605 g	Single	65	—
TB85910400	27.5x2.10	53-584	120	Foldable	515 g	Single	65	—
TB96699000	29x2.10	52/52-622	60	Foldable	635 g	Single	65	—
TB96697000	29x2.10	53-622	120	Foldable	840 g	Dual	60	LUST/UST
TB96665000	29x2.10	52-622	60	Foldable	645 g	Dual	60	TR
TB96665100	29x2.10	52-622	60	Foldable	700 g	Dual	60	EXO/TR

HARDPACK	LOOSE/HARD	MEDIUM	LOOSE	WET	WDR	CORNERING CONTROL	ROLLING EFFICIENCY
						1 2 3 4	1 2 3 4

- M309/M309P/M309RU
- FAST-ROLLING CENTER RIDGE
- RAISED SIDE KNOBS FOR BETTER CORNERING
- TUBELESS READY (TR) AVAILABLE

The CrossMark is an excellent cross country racing tire. The nearly continuous center ridge flies on hardpack, yet has enough spacing to grab wet roots and rocks. The slightly raised ridge of side knobs offers cornering precision never before seen on a tire this fast.

IKON



3C MAXX SPEED

EXO

TR

NEW

SNYPER



SILKSHIELD

PART #	SIZE	ETRTO	TPI	BEAD	WEIGHT	COMPOUND	MAX PSI	TECH
TB72385300	26x2.20	57-559	60	Foldable	540 g	Dual	65	—
TB72385100	26x2.20	57-559	120	Foldable	480 g	3C Maxx Speed	65	3C
TB72390000	26x2.20	57-559	120	Foldable	535 g	3C Maxx Speed	60	3C/TR
TB72395000	26x2.20	57-559	120	Foldable	540 g	3C Maxx Speed	65	3C/EXO
TB72390100	26x2.20	57-559	120	Foldable	585 g	3C Maxx Speed	60	3C/EXO/TR
TB73497000	26x2.35	60-559	120	Foldable	590 g	3C Maxx Speed	65	3C
TB73497100	26x2.35	60-559	120	Foldable	645 g	3C Maxx Speed	65	3C/EXO
TB73499000	26x2.35	60-559	120	Foldable	640 g	3C Maxx Speed	60	3C/TR
TB73499100	26x2.35	60-559	120	Foldable	680 g	3C Maxx Speed	60	3C/EXO/TR
TB85919000	27.5x2.20	56-584	120	Foldable	600 g	3C Maxx Speed	60	3C/EXO/TR
TB85956000	27.5x2.35	60-584	120	Foldable	705 g	3C Maxx Speed	60	3C/EXO/TR
TB96646000	29x2.00	50-622	120	Foldable	560 g	3C Maxx Speed	60	3C/TR
TB96646100	29x2.00	50-622	120	Foldable	605 g	3C Maxx Speed	60	3C/EXO/TR
TB96753300	29x2.20	57-622	60	Foldable	580 g	Dual	65	—
TB96753100	29x2.20	57-622	120	Foldable	525 g	3C Maxx Speed	65	3C
TB96740000	29x2.20	57-622	120	Foldable	590 g	3C Maxx Speed	60	3C/TR
TB96753000	29x2.20	57-622	120	Foldable	590 g	3C Maxx Speed	65	3C/EXO
TB96740100	29x2.20	57-622	120	Foldable	645 g	3C Maxx Speed	60	3C/EXO/TR
TB96729000	29x2.35	60-622	120	Foldable	660 g	3C Maxx Speed	65	3C
TB96729100	29x2.35	60-622	120	Foldable	725 g	3C Maxx Speed	65	3C/EXO
TB96731000	29x2.35	60-622	120	Foldable	695 g	3C Maxx Speed	60	3C/TR
TB96731100	29x2.35	60-622	120	Foldable	740 g	3C Maxx Speed	60	3C/EXO/TR

HARDPACK	LOOSE/HAIR	MEDIUM	LOOSE	WET	MOJ	CORNERING CONTROL	ROLLING EFFICIENCY
1	3	4	1	2	3	4	1

- M319P/M319RU
- HIGH-VOLUME, LIGHTWEIGHT RACE TIRE
- 3C MAXX SPEED TRIPLE COMPOUND TECHNOLOGY AVAILABLE
- TUBELESS READY (TR) AVAILABLE

The Ikon is for riders looking for a true lightweight race tire. Its high-volume casing and fast-rolling tread design provide exemplary performance in most riding conditions. As its name suggests, the Ikon stands above the competition.

PART #	SIZE	ETRTO	TPI	BEAD	WEIGHT	COMPOUND	MAX PSI	TECH
TB49307200	24x2.00	50-507	60	Foldable	600 g	Dual	65	SikShield
TB49307300	24x2.00	50-507	60	Wire	650 g	Dual	65	SikShield

HARDPACK	LOOSE/HAIR	MEDIUM	LOOSE	WET	MOJ	CORNERING CONTROL	ROLLING EFFICIENCY
1	3	4	1	2	3	4	1

- M151
- DUAL-COMPOUND
- SILKSHIELD PUNCTURE PROTECTION

The majority of kids' mountain bike tires are either overweight or under-gunned. The Snyptr from Maxxis is the exception. The center knobs are ramped to decrease rolling resistance, but the aggressive side knobs will boost any little shredder's confidence in the turns. The Snyptr uses our lightweight SilkShield material for puncture protection from bead-to-bead.



THE WORD

If you only have one bike and you're looking for a do-it-all tire, the Maxxis Ikon has the most bang for your buck.

Take your bike from the pump track, to the jumps, to the trails and never question your control.

Brandon Semenovik

IGNITOR



PART #	SIZE	ETRTO	TPI	BEAD	WEIGHT	COMPOUND	MAX PSI	TECH
TB69756900	26x2.10	47-559	60	Foldable	575 g	Single	65	—
TB69757100	26x2.10	47-559	120	Foldable	505 g	Single	65	Silkworm
TB69754200	26x2.10	47-559	120	Foldable	710 g	Dual	60	LUST/AUST
TB69306000	26x2.10	47-559	60	Foldable	590 g	Single	60	TR
TB69306100	26x2.10	47-559	60	Foldable	635 g	Single	60	EXO/TR
TB73561500	26x2.35	52-559	60	Foldable	690 g	Single	65	—
TB73560000	26x2.35	52-559	60	Foldable	770 g	Single	65	EXO
TB73457100	26x2.35	52-559	120	Foldable	850 g	Dual	60	LUST/AUST
TB73553000	26x2.35	52-559	60	Foldable	675 g	Single	60	TR
TB73553100	26x2.35	52-559	60	Foldable	730 g	Single	60	EXO/TR
TB96696000	29x2.10	52/52-622	60	Foldable	635 g	Single	65	—
TB96694500	29x2.10	52/52-622	120	Foldable	635 g	Single	65	EXO
TB96657000	29x2.10	52-622	60	Foldable	670 g	Single	60	TR
TB96657100	29x2.10	52-622	60	Foldable	730 g	Single	60	EXO/TR

RAMPAGE	LOOSE/DIRT	MEDIUM	LOOSE	WET	MUD	CORNERING CONTROL	ROLLING EFFICIENCY
1	2	3	4	5	6	7	8

- M304/M304RU
- DIRECTIONAL RAMPED PENTAGONAL KNOB DESIGN
- EXCELLENT MULTI-CONDITION PERFORMANCE
- TUBELESS READY (TR) AVAILABLE

The Ignitor tread pattern was designed for the most discerning professional racers and has laid claim to multiple World Cup victories. The well-spaced tread pattern fills in nicely to provide low rolling resistance in the straights, while the ramped pentagonal knobs provide excellent traction in corners and on medium soil.

ARDENT RACE



PART #	SIZE	ETRTO	TPI	BEAD	WEIGHT	COMPOUND	MAX PSI	TECH
TB72374000	26x2.20	56-559	120	Foldable	605 g	3C Maxx Speed	60	3C/TR
TB72374100	26x2.20	56-559	120	Foldable	650 g	3C Maxx Speed	60	3C/EXO/TR
TB85918000	27.5x2.20	56-584	120	Foldable	635 g	3C Maxx Speed	60	3C/TR
TB85918100	27.5x2.20	56-584	120	Foldable	680 g	3C Maxx Speed	60	3C/EXO/TR
TB96742000	29x2.20	56-622	120	Foldable	670 g	3C Maxx Speed	60	3C/TR
TB96742100	29x2.20	56-622	120	Foldable	720 g	3C Maxx Speed	60	3C/EXO/TR

RAMPAGE	LOOSE/DIRT	MEDIUM	LOOSE	WET	MUD	CORNERING CONTROL	ROLLING EFFICIENCY
1	2	3	4	5	6	7	8

- M329RU
- HIGH-VOLUME CASING
- MEDIUM KNOB HEIGHT
- IDEAL FOR TECHNICAL XC RACE COURSES
- 3C MAXX SPEED AVAILABLE
- TUBELESS READY (TR)

The Ardent Race tire from Maxxis is ideally suited for technical XC race courses and endurance-length events. With its medium-height tread, the Ardent Race bridges the gap between the XC-oriented Ikon and the trail-oriented Ardent. The center knobs are ramped to reduce rolling resistance, and the side knobs are angled and stepped to provide great biting traction in corners. Choose the Ardent Race for your next demanding XC race or epic trail ride.

ARDENT



EXO
CONTINENTAL

LUST

TR

MAXXIS
TUBELESS

PART #	SIZE	ETRTO	TPI	BEAD	WEIGHT	COMPOUND	MAX PSI	TECH
TB72555000	26x2.25	54/56-559	60	Foldable	650 g	Single	65	—
TB72560000	26x2.25	54/56-559	60	Foldable	705 g	Single	65	EXO
TB72556000	26x2.25	54/56-559	120	Foldable	830 g	Dual	60	LUST/AUST
TB72569000	26x2.25	54/56-559	60	Foldable	695 g	Dual	60	TR
TB72569100	26x2.25	54/56-559	60	Foldable	725 g	Dual	60	EXO/TR
TB74177000	26x2.40	58/60-559	60	Foldable	790 g	Single	65	EXO
NEW TB72917000	26x2.40	58/60-559	60	Foldable	685 g	Dual	60	TR
NEW TB72917100	26x2.40	58/60-559	60	Foldable	730 g	Dual	60	EXO/TR
TB85913000	27.5x2.25	57-584	60	Wire	740 g	Single	65	—
TB85913100	27.5x2.25	57-584	60	Foldable	660 g	Single	65	—
TB85913400	27.5x2.25	57-584	60	Foldable	720 g	Single	65	EXO
NEW TB85955000	27.5x2.25	56-584	60	Foldable	715 g	Dual	60	TR
NEW TB85955100	27.5x2.25	56-584	60	Foldable	760 g	Dual	60	EXO/TR
TB85967100	27.5x2.40	61-584	60	Foldable	760 g	Dual	60	EXO/TR
TB96712000	29x2.25	54/56-622	60	Wire	775 g	Single	65	—
TB96712500	29x2.25	54/56-622	60	Foldable	690 g	Single	65	—
TB96712300	29x2.25	56-622	60	Foldable	690 g	Single	65	Skinwall
TB96712900	29x2.25	54/56-622	120	Foldable	885 g	Dual	60	LUST/AUST
TB96712700	29x2.25	54/56-622	60	Foldable	745 g	Single	65	EXO
TB96734000	29x2.25	56-622	60	Foldable	755 g	Dual	60	TR
TB96734100	29x2.25	56-622	60	Foldable	800 g	Dual	60	EXO/TR
TB96789100	29x2.40	59/61-622	60	Foldable	750 g	Single	65	Skinwall
TB96789000	29x2.40	59/61-622	60	Foldable	805 g	Single	65	EXO
NEW TB96793000	29x2.40	61-622	60	Foldable	755 g	Dual	60	TR
NEW TB96793100	29x2.40	61-622	60	Foldable	805 g	Dual	60	EXO/TR



PHOTO: GIBSON

MOUNTAIN

HANDPACK LOOSE/HARD MEDIUM LOOSE WET MID CORNERING CONTROL ROLLING EFFICIENCY

1 2 3 4 1 2 3 4

- ❖ M315E/M315P/M315U M315RU/M332RU
- ❖ HIGH-VOLUME CASING
- ❖ AGGRESSIVE TREAD DESIGN
- ❖ EXCELLENT PERFORMER IN WET CONDITIONS
- ❖ TUBELESS READY (TR) AVAILABLE

An aggressive tread on a high-volume casing, designed with great traction in mind. The Ardent doesn't forget the racer, with large block-style side knobs offering numerous edges for high-speed cornering. The center tread, while ideal for braking and accelerating traction, also features ramped knobs to minimize rolling resistance. With a wide variety of size offerings, the Ardent captures every mountain rider's needs.

HIGH ROLLER



PART #	SIZE	ETRTO	TPI	BEAD	WEIGHT	COMPOUND	MAX PSI	TECH
TB69764400	26x2.10	47-559	60	Foldable	525 g	Single	85	—
TB73614500	26x2.35	52-559	60	Wire	775 g	Single	65	—
TB73616200	26x2.35	52-559	60	Foldable	690 g	Single	65	—
TB73613600	26x2.35	52-559	120	Foldable	915 g	Dual	60	LUST/UST

HARDPACK	LOOSE/HARD	MEDIUM	LOOSE	WET	MUD	CORNERING CONTROL	ROLLING EFFICIENCY
1	2	3	4	5	6	7	8

- M119
- RAMPED KNOB DESIGN
- VERSATILE PERFORMANCE

One of our most popular and versatile mountain tires, the High Roller's ramped leading edges roll fast, while the side lugs offer stability at higher speeds and a sharp edge to hold corners. The grooved center knobs provide straight-line control. The High Roller's tread design translates well to all mountain bike disciplines including downhill, cross country and freeride.

THE WORD



For a balance of control and durability on slippery trails, I like to run a softer MaxxTerra compound tire in front and a harder MaxxSpeed compound tire in the rear.

Geoff Kabush, Scott-Trox Racing

HIGH ROLLER II



PART #	SIZE	ETRTO	TPI	BEAD	WEIGHT	COMPOUND	MAX PSI	TECH
TB73307000	26x2.30	58-559	60	Foldable	825 g	Dual	60	EXO/TR
TB73307100	26x2.30	58-559	60	Foldable	840 g	3C Maxx Terra	60	3C/EXO/TR
TB74177300	26x2.40	61-559	60	Foldable	870 g	Single	65	EXO
TB74177500	26x2.40	61-559	60	Foldable	855 g	3C Maxx Terra	65	3C/EXO
TB85923000	27.5x2.30	58-584	60	Foldable	845 g	Dual	60	EXO/TR
TB85923100	27.5x2.30	58-584	60	Foldable	875 g	3C Maxx Terra	60	3C/EXO/TR
TB85915400	27.5x2.40	61-584	60	Foldable	910 g	Single	65	EXO
TB85915600	27.5x2.40	61-584	60	Foldable	890 g	3C Maxx Terra	65	3C/EXO
TB96769000	29x2.30	58-622	60	Foldable	890 g	Dual	60	EXO/TR
TB96769100	29x2.30	58-622	60	Foldable	920 g	3C Maxx Terra	60	3C/EXO/TR

HARDPACK	LOOSE/HARD	MEDIUM	LOOSE	WET	MUD	CORNERING CONTROL	ROLLING EFFICIENCY
1	2	3	4	5	6	7	8

- M325P/M325RU
- OPEN TREAD DESIGN
- IMPROVED BRAKING AND TRACTION
- 3C MAXX TERRA AVAILABLE
- TUBELESS READY (TR) AVAILABLE

An open and aggressive tread design gives the High Roller II excellent soil penetration and mud-clearing ability. A square profile provides a solid, consistent feel across the knobs. Modified knobs on the shoulder and center improve braking performance and traction on hard surfaces. An excellent choice for technical, freeride terrain.

MINION DHF



PART #	SIZE	ETRTO	TPI	BEAD	WEIGHT	COMPOUND	MAX PSI	TECH
TB73305100	26x2.30	58-559	60	Foldable	845 g	Dual	60	EXO/TR
TB73305200	26x2.30	58-559	60	Foldable	845 g	3C Maxx Terra	60	3C/EXO/TR
TB73550000	26x2.35	52-559	60	Wire	825 g	Super Tacky	65	ST
TB73550400	26x2.35	52-559	60	Wire	785 g	Single	65	—
TB73550800	26x2.35	52-559	60	Foldable	700 g	Single	65	—
TB74267000	26x2.50	55-559	60	Foldable	880 g	Single	65	EXO
TB74267300	26x2.50	55-559	60	Foldable	660 g	3C Maxx Terra	65	3C/EXO
TB74267400	26x2.50	55-59-559	60	Foldable	940 g	Single	65	ST/EXO
TB85925100	27.5x2.30	58-584	60	Foldable	870 g	3C Maxx Terra	60	3C/EXO/TR
TB96785000	29x2.30	58-622	60	Foldable	925 g	Dual	60	EXO/TR
TB96785100	29x2.30	58-622	60	Foldable	925 g	3C Maxx Terra	60	3C/EXO/TR
TB96800000	29x2.50	63-662	60	Foldable	1005 g	Dual	50	EXO/TR
TB96800300	29x2.50	63-622	60	Foldable	1015 g	3C Maxx Terra	50	3C/EXO/TR

HARDPACK	LOOSE HAND	MEDIUM	LOOSE	WET	MOB	CORNERING CONTROL	ROLLING EFFICIENCY
						1 2 3 4	1 2 3 4

- M301/M301E/M301RU
- DIRECTIONAL, RAMPED KNOB DESIGN
- LIGHTWEIGHT, SINGLE-PLY CASING
- 3C MAXX TERRA AVAILABLE
- TUBELESS READY (TR) AVAILABLE

The Minion DHF is the standard by which all other aggressive mountain tires are measured. The DHF incorporates ramped knobs for low rolling resistance and channel-cut knobs to increase gripping edges, giving straight-line control and precise cornering.

MINION DHR II



PART #	SIZE	ETRTO	TPI	BEAD	WEIGHT	COMPOUND	MAX PSI	TECH
TB73303000	26x2.30	58-559	60	Foldable	780 g	Dual	60	EXO/TR
TB73303100	26x2.30	58-559	60	Foldable	755 g	3C Maxx Terra	60	3C/EXO/TR
TB72907400	26x2.40	61-559	60	Foldable	910 g	Single	65	EXO
TB72907500	26x2.40	61-559	60	Foldable	895 g	Super Tacky	65	ST/EXO
TB72907300	26x2.40	61-559	60	Foldable	885 g	3C Maxx Terra	65	3C/EXO
TB85927000	27.5x2.30	58-584	60	Foldable	765 g	3C Maxx Terra	60	3C/EXO/TR
TB96776000	29x2.30	58-662	60	Foldable	855 g	Dual	60	EXO/TR
TB96776100	29x2.30	58-662	60	Foldable	825 g	3C Maxx Terra	60	3C/EXO/TR

HARDPACK	LOOSE HAND	MEDIUM	LOOSE	WET	MOB	CORNERING CONTROL	ROLLING EFFICIENCY
						1 2 3 4	1 2 3 4

- M327/M327RU
- EXCELLENT BRAKING AND CORNERING TRACTION
- 3C MAXX TERRA AVAILABLE
- TUBELESS READY (TR) AVAILABLE

The trail version of the Maxxis Minion DHR II features the same tread pattern as its downhill counterpart, but uses a single-ply casing to reduce weight. With side knobs borrowed from the legendary Minion DHF, but widened to provide more support, the DHR II corners like no other.

BEAVER

NEW

SHORTY



PART #	SIZE	ETRTO	TPI	BEAD	WEIGHT	COMPOUND	MAX PSI	TECH
TB68601100	26x2.00	50-559	120	Foldable	540 g	Dual	60	EXO/TR
TB72564000	26x2.25	57-559	60	Foldable	695 g	Dual	65	EXO
TB90915100	27.5x2.00	50-584	120	Foldable	570 g	Dual	60	EXO/TR
TB96820100	29x2.00	50-622	120	Foldable	600 g	Dual	60	EXO/TR
TB96737000	29x2.25	57-622	60	Foldable	765 g	Dual	65	EXO

PART #	SIZE	ETRTO	TPI	BEAD	WEIGHT	COMPOUND	MAX PSI	TECH
TB73309000	26x2.30	58-559	60	Foldable	780 g	3C Maxx Terra	60	TR
TB73309100	26x2.30	58-559	60	Foldable	825 g	3C Maxx Terra	60	EXO/TR
TB85924000	27.5x2.30	58-584	60	Foldable	815 g	3C Maxx Terra	60	TR
TB85924100	27.5x2.30	58-584	60	Foldable	865 g	3C Maxx Terra	60	EXO/TR
TB96772000	29x2.30	58-622	60	Foldable	860 g	3C Maxx Terra	60	TR
TB96772100	29x2.30	58-622	60	Foldable	910 g	3C Maxx Terra	60	EXO/TR

HARDPACK	LOOSE/HARD	MEDIUM	LOOSE	WET	MUD	CORNERING CONTROL	ROLLING EFFICIENCY
						1 2 3 4	1 2 3 4

- M326P/M326RU
- WET AND MUDDY CONDITIONS
- DUAL-COMPOUND TECHNOLOGY
- EXO PROTECTION
- TUBELESS READY (TR) AVAILABLE

The Beaver features a tread design ideal for wet and muddy conditions. The dual-compound tread uses a hard base layer to reduce rolling resistance and provide knob support, while the siped, softer outer layer provides unparalleled grip on wet rocks and roots. The Beaver is one aquatic-friendly animal of a tire!

HARDPACK	LOOSE/HARD	MEDIUM	LOOSE	WET	MUD	CORNERING CONTROL	ROLLING EFFICIENCY
						1 2 3 4	1 2 3 4

- M331RU
- MID-SPIKE TREAD DESIGN
- 3C MAXXTERRA
- EXO PROTECTION AVAILABLE
- TUBELESS READY (TR)

The DH version of the Maxxis Shorty was an instant favorite of our World Cup DH racers. The single-ply version offers trail riders the same traction in a much lighter package. All trail versions of the Shorty feature our Tubeless Ready casing and 3C MaxxTerra compound. EXO sidewall protection is available as an option for each size.

THE WORD



Since switching to Maxxis Tubeless-ready tires across the Pivot line, the most difficult thing for us to decide is which tires to run for each application, as Maxxis offers such an incredible variety of tread patterns that work well in a wide variety of applications. Most tire brands have maybe one or two popular tread patterns. With Maxxis, every tire is a winner.

Chris Cocalis, President of Pivot Cycles



PHOTO: GIBSON

DOWNHILL

GRIFFIN

NEW



PART #	SIZE	ETRTO	TPI	BEAD	WEIGHT	COMPOUND	MAX PSI	TECH
TB72919100	26x2.40	61-559	60	Wire	1140 g	Super Tacky	65	ST
TB72919000	26x2.40	61-559	60	Wire	1130 g	3C Maxx Grip	65	3C
TB85969100	27.5x2.40	61-584	60	Wire	1190 g	Super Tacky	65	ST
TB85969000	27.5x2.40	61-584	60	Wire	1180 g	3C Maxx Grip	65	3C

HARDPACK	LOOSE/HARD	MEDIUM	LOOSE	WET	DIRT	CORNERING CONTROL	ROLLING EFFICIENCY
						1 2 3 4	1 2 3 4

- M337P
- LESS AGGRESSIVE TREAD DESIGN
- 3C MAXXGRIP AND SUPER TACKY AVAILABLE

Our downhill athletes face a wide variety of terrain and conditions over the course of a season. For dry and hardpack courses, Maxxis has developed the Griffin. The tread pattern is less aggressive than other tires in our line, but still uses the durable casing Maxxis DH tires are known for. The knobs are smaller and more tightly spaced, with heavily ramped leading edges to keep rolling resistance down on tracks with lots of pedaling.

MINION DHF



PART #	SIZE	ETRTO	TPI	BEAD	WEIGHT	COMPOUND	MAX PSI	TECH
TB74265700	26x2.50	55-559	60	Wire	1180 g	Single	65	—
TB74265000	26x2.50	55-559	60	Wire	1200 g	Super Tacky	65	ST
TB74263000	26x2.50	55-559	27	Foldable	1180 g	Super Tacky	55	UST/ST
TB74265500	26x2.50	55-559	60	Wire	1265 g	3C Maxx Grip	65	3C
NEW TB74269000	26x2.50	55-559	60	Wire	1270 g	3C Maxx Grip	65	3C/Skinwall
NEW TB85976100	27.5x2.50	63-584	60	Wire	1390 g	Super Tacky	65	ST
NEW TB85976000	27.5x2.50	63-584	60	Wire	1390 g	3C Maxx Grip	65	3C
TB96800100	29x2.50	63-622	60	Foldable	1250 g	Dual	60	TR
TB96800200	29x2.50	63-622	60	Foldable	1220 g	3C Maxx Grip	60	3C/TR

HARDPACK	LOOSE/HARD	MEDIUM	LOOSE	WET	DIRT	CORNERING CONTROL	ROLLING EFFICIENCY
						1 2 3 4	1 2 3 4

- M301/M301P/M301RU
- DIRECTIONAL, RAMPED KNOB DESIGN
- DUAL-PLY CASING WITH BUTYL INSERT
- TUBELESS READY (TR) AVAILABLE
- 3C MAXXGRIP AND SUPER TACKY AVAILABLE

The Minion DHF is the standard by which all other downhill tires are measured. The DHF incorporates ramped knobs for low rolling resistance and channel-cut knobs to increase gripping edges, giving straight-line control and precise cornering.

MINION DHR II



PART #	SIZE	ETRTO	TPI	BEAD	WEIGHT	COMPOUND	MAX PSI	TECH
TB72907000	26x2.40	61-559	60	Wre	1240 g	Single	65	—
TB72907200	26x2.40	61-559	60	Wre	1225 g	Super Tacky	65	ST
TB72907100	26x2.40	61-559	60	Wre	1265 g	3C Maxx Grip	65	3C
NEW TB91051100	27.5x2.40	61-584	60	Wre	1280 g	Super Tacky	65	ST
NEW TB91051000	27.5x2.40	61-584	60	Wre	1315 g	3C Maxx Grip	65	3C

HARDPACK	LOOSE/HARD	MEDIUM	LOOSE	WET	MUD	CORNERING CONTROL	ROLLING EFFICIENCY
██████████						1 2 3 4	1 2 3 4

- ❖ **M327**
- ❖ **EXCELLENT BRAKING AND CORNERING TRACTION**
- ❖ **3C MAXX GRIP AND SUPER TACKY AVAILABLE**

Featuring an all-new tread design, the Minion DHR II is the ideal tire for aggressive gravity riding. With side knobs borrowed from the legendary Minion DHF, but widened to provide more support, the DHR II corners like no other. The center tread features ramped knobs.

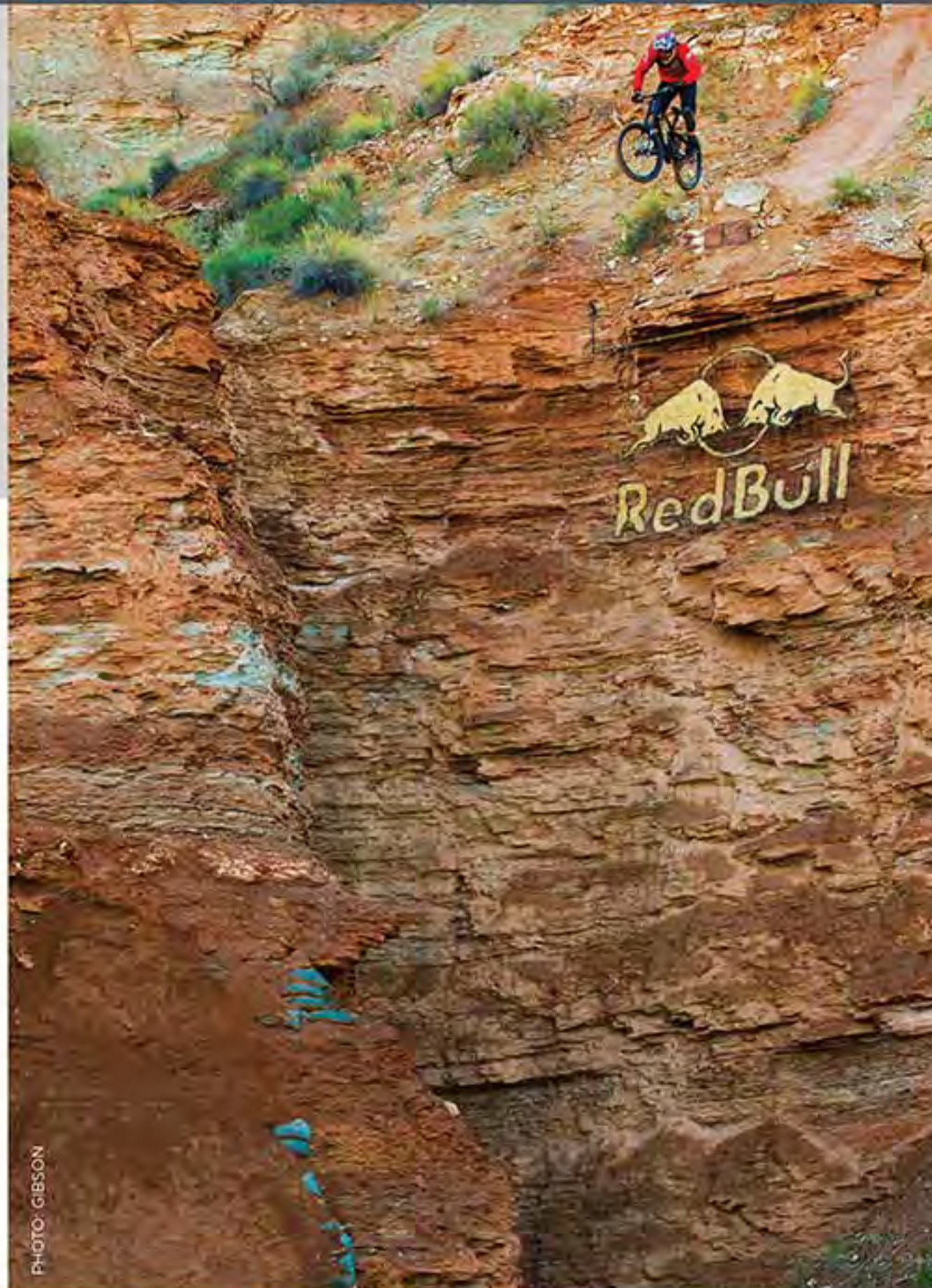


PHOTO: GIBSON

DOWNHILL

HIGH ROLLER



PART #	SIZE	ETRTO	TPI	BEAD	WEIGHT	COMPOUND	MAX PSI	TECH
TB50653300	24x2.50	55-507	60	Wire	1080 g	Single	65	—
TB74302100	26x2.50	54-559	60	Wire	1180 g	Single	65	—
TB74220000	26x2.50	55-559	27	Foldable	1215 g	Super Tacky	55	UST/ST
TB74301600	26x2.50	54-559	60	Wire	1265 g	3C Maxx Grip	65	3C

PACKAGE	LOWSE/HAZD	MEDIUM	LOOSE	WET	DRY	CORNERING CONTROL	ROLLING EFFICIENCY
						3	2

- M119
- RAMPED KNOB DESIGN
- DUAL-PLY CASING WITH BUTYL INSERT
- 3C MAXX GRIP AND SUPER TACKY AVAILABLE

The High Roller's ramped leading edges roll fast, while the side lugs offer stability at speed and a sharp edge to hold corners. The grooved center knobs provide straight-line control. The High Roller's tread design translates well to all mountain bike disciplines including downhill, cross country and freeride.

HIGH ROLLER II



PART #	SIZE	ETRTO	TPI	BEAD	WEIGHT	COMPOUND	MAX PSI	TECH
TB74177200	26x2.40	61-559	60	Wire	1205 g	Single	65	—
TB74177100	26x2.40	61-559	60	Wire	1260 g	3C Maxx Grip	65	3C
TB74177600	26x2.40	61-559	60	Wire	1225 g	Super Tacky	65	ST
TB85915300	27.5x2.40	61-584	60	Wire	1250 g	Single	65	—
TB85915100	27.5x2.40	61-584	60	Wire	1270 g	Super Tacky	65	ST
TB85915200	27.5x2.40	61-584	60	Wire	1305 g	3C Maxx Grip	65	3C

PACKAGE	LOWSE/HAZD	MEDIUM	LOOSE	WET	DRY	CORNERING CONTROL	ROLLING EFFICIENCY
						3	2

- M325P
- OPEN TREAD DESIGN
- IMPROVED BRAKING AND TRACTION
- 3C MAXX GRIP AND SUPER TACKY AVAILABLE

An open and aggressive tread design gives the High Roller II excellent soil penetration and mud-clearing ability. A square profile provides a solid, consistent feel across the knobs. Modified knobs on the shoulder and center improve braking performance and traction on hard surfaces. When gravity pulls you downhill, rely on the High Roller II to keep you upright.

SHORTY

NEW



PART #	SIZE	ETRTO	TPI	BEAD	WEIGHT	COMPOUND	MAX PSI	TECH
TB72911100	26x2.40	61-559	60	Wire	1215 g	Super Tacky	65	ST
TB72911000	26x2.40	61-559	60	Wire	1215 g	3C Maxx Grip	65	3C
TB91056100	27.5x2.40	61-584	60	Wire	1270 g	Super Tacky	65	ST
TB91056000	27.5x2.40	61-584	60	Wire	1270 g	3C Maxx Grip	65	3C

HARDPACK	LOOSE/HARD	MEDIUM	LOOSE	WET	MUD	CORNERING CONTROL	ROLLING EFFICIENCY
						1 2 3 4	1 2 3 4

- **M331P**
- **LARGE, AGGRESSIVE LUGS**
- **3C MAXX GRIP AND SUPER TACKY AVAILABLE**
- **DUAL-PLY CASING WITH BUTYL INSERT**

Today's World Cup downhill tracks are steep, technical monsters with ever-changing conditions. Our pros needed a mid-spike tire that could handle dry, loose, blown-out corners as well as a bit of mud. The Shorty is that tire. A high-volume, dual-ply downhill casing makes the Shorty a more versatile option than a dedicated mud spike like our Wet Scream. Large, tall and slightly staggered side knobs penetrate loose soil to provide predictable, stable cornering at warp speeds.

WETSCREAM



PART #	SIZE	ETRTO	TPI	BEAD	WEIGHT	COMPOUND	MAX PSI	TECH
TB74276000	26x2.50	55-559	60	Wire	1160 g	Super Tacky	65	ST

HARDPACK	LOOSE/HARD	MEDIUM	LOOSE	WET	MUD	CORNERING CONTROL	ROLLING EFFICIENCY
						1 2 3 4	1 2 3 4

- **M137**
- **WIDELY-SPACED, SHARP SQUARE DESIGN**
- **DUAL-PLY CASING WITH BUTYL INSERT**
- **MUD-SPECIFIC TIRE**

Designed for the muddiest downhill race course in the world: Les Gets, France. Not for your local trail, the Wetscream is intended for competition use only, on professionally maintained courses. When the course turns ugly, trust the Wetscream to carry you to victory.



THE WORD

It's really important to experiment with different tire pressures to find what's best for you. It can make a huge difference in the way the trail feels. I usually recommend running 3-4 more PSI in the back than the front.

Thomas Vanderham

DOWNHILL



FAT BIKE



PHOTO: CHAMBERLAIN

MAMMOTH

NEW



EXO

PART #	SIZE	ETRTO	TPI	BEAD	WEIGHT	COMPOUND	MAX PSI	TECH
TB72650200	26x4.0	102-559	60	Foldable	1270 g	Dual	30	—
TB72650000	26x4.0	102-559	120	Foldable	1270 g	Dual	30	EXO

HARDPACK	LOOSE/HARD	MEDIUM	LOOSE	WT	MOD	CORNERING CONTROL	ROLLING EFFICIENCY
						1 2 3 4	1 2 3 4

- M334
- FAT BIKE TIRE
- 120 TPI CASING AVAILABLE
- EXO PROTECTION AVAILABLE

The Mammoth is the first fat bike tire from Maxxis! The center tread is relatively low to help keep the tire rolling, while the large side knobs aid in cornering. Available in a 4.00-inch casing, the Mammoth is ready for duty on the trail, the beach, or in the snow. 60 or 120 TPI casing options are available.

NEW

CHRONICLE



EXO

PART #	SIZE	ETRTO	TPI	BEAD	WEIGHT	COMPOUND	MAX PSI	TECH
TB96833200	29x3.0	78-622	60	Foldable	1040 g	Dual	30	—
TB96833000	29x3.0	78-622	120	Foldable	1055 g	Dual	30	EXO

HARDPACK	LOOSE/HARD	MEDIUM	LOOSE	WT	MOD	CORNERING CONTROL	ROLLING EFFICIENCY
						1 2 3 4	1 2 3 4

- M335
- 29+ TIRE
- 120 TPI CASING AVAILABLE
- EXO PROTECTION AVAILABLE

The Maxxis Chronicle is ready for adventure. From after-work trail rides to bike-packing expeditions, the Chronicle can be called into duty. The tread design offers grip at any angle and the 3.00-inch casing provides a comfortable ride. 60 or 120 TPI casing options are available.



URBAN



PHOTO: GORE

HOLY ROLLER

DTH



PART #	SIZE	ETRTO	TPI	BEAD	WEIGHT	COMPOUND	MAX PSI	TECH
TB72392000	26x2.20	52-559	60	Wire	800 g	Single	65	—
TB74190100	26x2.40	55-559	60	Wire	830 g	Single	65	—

DIRT	STREET	PARK	FLAT	VERT
------	--------	------	------	------

- M126
- INVERTED SEMI-KNOB DESIGN
- LIGHTWEIGHT, SINGLE-PLY CASING
- URBAN ASSAULT/DIRT JUMP

Proven in the hardpack and pavement of the BMX world, the Holy Roller is now available in 26" sizes. The Holy Roller urban assault tire is the perfect weapon for riders who may be dirt jumping today but shredding the streets of the city tomorrow.

PART #	SIZE	ETRTO	TPI	BEAD	WEIGHT	COMPOUND	MAX PSI	TECH
TB72683000	26x2.15	52/54-559	60	Foldable	550 g	Single	80	—
TB72683100	26x2.15	52/54-559	60	Foldable	555 g	Single	80	Skinwall
TB72300000	26x2.30	55/58-559	60	Wire	730 g	Single	65	—
TB72301000	26x2.30	55/58-559	60	Foldable	650 g	Single	65	—

DIRT	STREET	PARK	FLAT	VERT
------	--------	------	------	------

- M147
- GROOVED-SLICK URBAN OPTION
- LIGHTWEIGHT, SINGLE-PLY CASING

The same DTH BMX tread in 26" size offerings to provide multiple options in a dirt/urban environment. The lightweight construction makes this version ideal for dirt jumping and even commuting. Choose your size, choose your style and choose the DTH.



THE WORD

My bike has taken me to the most amazing places, and I feel lucky every day to be rolling on Holy Rollers!
Aaron Chase

URBAN

TORCH



PART #	SIZE	ETRTO	TPI	BEAD	WEIGHT	COMPOUND	MAX PSI	TECH
TB96651200	29x2.10	53-622	120	Foldable	625 g	Single	65	Silkworm

DIRT	STREET	PARK	FLAT	VERT

- M149
- LIGHTWEIGHT CONSTRUCTION
- SILKWORM PUNCTURE PROTECTION

Since its introduction, the Torch has set fire to BMX tracks around the globe. Now available in a 29" size, the Torch is ready to burn up your local streets! The same fast-rolling tread pattern and supple, 120 TPI casing that made the 20" version so popular has made its way to this new 29" size. Choose the Torch for your 29er urban assault bike!

HOOKWORM



PART #	SIZE	ETRTO	TPI	BEAD	WEIGHT	COMPOUND	MAX PSI	TECH
TB74255100	26x2.50	63-559	60	Wire	1125 g	Single	65	—
NEW TB96805000	29x2.50	63-622	60	Wire	1230 g	Single	65	—

DIRT	STREET	PARK	FLAT	VERT

- M121
- CURVED, GROOVED-SLICK DESIGN
- SINGLE-PLY CASING
- BEAD-TO-BEAD TREAD
- URBAN ASSAULT

The original urban assault tire is now available in a 29" size! Huge air-volume softens the drops, while the inverted tread design makes rolling resistance minimal. Bead-to-bead tread provides durability and traction whether you're dropping staircases, grinding rails or riding in your local skatepark.



THE WORD

Having such awesome tires is having one less thing to worry about. Maxxis has the best tires in the game!

Adam Hauck



GRIFTER



PHOTO: GORE



PART #	SIZE	ETRTO	TPI	BEAD	WEIGHT	COMPOUND	MAX PSI	TECH
TB96648100	29x2.00	50-622	60	Foldable	655 g	Single	65	—
TB96802000	29x2.50	64-622	60	Wire	885 g	Single	65	—

BIKE	STREET	PARK	FLAT	VERT

- ❖ M148P
- ❖ FAST-ROLLING TREAD
- ❖ HIGH-VOLUME CASING

The Grifter is our most popular freestyle tire, and with good reason. The tread pattern rolls fast to help you keep your momentum and the high-volume casing softens landings. So when Maxxis set out to create a 29" urban assault tire, the Grifter was the natural choice. The 29" Grifter is available in 2.00" and 2.50" widths for riders looking for a light, durable and fast tire.

URBAN



PHOTO: BUCHANAN



BMX

MAXXDADDY

HOLY ROLLER



PART #	SIZE	ETRTO	TPI	BEAD	WEIGHT	COMPOUND	MAX PSI	TECH
TB29682000	20x2.00	54-406	60	Wire	540 g	Single	40	—

DIRT	STREET	PARK	FLAT	VERT
—	—	—	—	—

- **M110**
- **FULL SQUARE-KNOB DESIGN**
- **GREAT FOR LOOSE CONDITIONS**

Staggered, tightly-spaced center lugs provide controllable speeds. The knob spacing increases near the shoulder lugs to produce two channels that hook up on hardpack berms as well as loose dirt on the trails.

PART #	SIZE	ETRTO	TPI	BEAD	WEIGHT	COMPOUND	MAX PSI	TECH
TB20350000	20x1.75	28-451	60	Wire	255 g	Single	85	—
TB20628000	20x1.75	37-451	60	Wire	345 g	Single	65	—
TB24748000	20x1.75	47-406	60	Wire	425 g	Single	60	—
TB29478000	20x1.95	53-406	60	Wire	495 g	Single	60	—
TB31020000	20x2.20	56-406	60	Wire	610 g	Single	60	—
TB47640000	24x1.75	47-507	60	Wire	525 g	Single	60	—
TB49212000	24x1.85	50-507	60	Wire	610 g	Single	60	—

DIRT	STREET	PARK	FLAT	VERT
—	—	—	—	—

- **M126**
- **INVERTED SEMI-KNOB DESIGN**
- **DIRT-TO-PAVEMENT VERSATILITY**

Our most versatile BMX tire features a tightly spaced knob pattern. A unique design that rolls extremely well on pavement and still hooks up in hardpack conditions.

DTH

TORCH



PART #	SIZE	ETRTO	TPI	BEAD	WEIGHT	COMPOUND	MAX PSI	TECH
TB20352000	20x1 1/8	28-451	120	Wire	245 g	Dual	85	Silkworm
TB20629000	20x1 3/8	37-451	120	Wire	315 g	Dual	65	Silkworm
TB22329500	20x1.50	38-406	120	Foldable	295 g	Dual	110	Silkworm
TB24751000	20x1.75	44-406	120	Foldable	345 g	Dual	110	Silkworm
TB29464500	20x1.95	49-406	120	Foldable	375 g	Dual	110	Silkworm
TB31025000	20x2.20	56-406	120	Foldable	485 g	Dual	110	Silkworm
TB47649000	24x1.75	44-507	120	Wire	440 g	Dual	65	Silkworm

PART #	SIZE	ETRTO	TPI	BEAD	WEIGHT	COMPOUND	MAX PSI	TECH
NEW TB20354000	20x1 1/8	28-451	60	Wire	260 g	Dual	85	Silkworm
NEW TB20626000	20x1 3/8	37-451	60	Wire	310 g	Dual	100	Silkworm
NEW TB22783100	20x1.50	38-406	120	Foldable	320 g	Dual	110	S&Shield
NEW TB24755100	20x1.75	44-406	120	Foldable	365 g	Dual	110	S&Shield
NEW TB29519100	20x1.95	49-406	120	Foldable	395 g	Dual	110	S&Shield
NEW TB47641000	24x1.75	44-507	120	Wire	450 g	Dual	65	Silkworm

DIRT	STREET	PARK	FLAT	VERT
------	--------	------	------	------

- M147
- LIGHTWEIGHT RACE TIRE
- DUAL-COMPOUND
- SILKWORM

Drop-The-Hammer. The first few pedal strokes win the holeshot. The holeshot wins the race. The foldable DTH is super-light to accelerate like no other BMX tire, yet holds up to the abuse you dish out. The dual-compound tread corners incomparably on hardpack tracks and rolls fast on the straights. The gold medal is just a sprint away.

DIRT	STREET	PARK	FLAT	VERT
------	--------	------	------	------

- M149
- LIGHTWEIGHT CONSTRUCTION
- DUAL-COMPOUND
- SILKWORM & SILKSHIELD

Light up the track and your competition with the Torch. In an all-out sprint for 30 seconds, you need every advantage you can get, which is why the Torch features a lightweight, 120 TPI casing and a tread pattern designed to let you rip through the pavement of modern BMX tracks.



THE WORD

There is no way anyone should be racing on any other tire than the Torch, especially nowadays when all the tracks are either asphalt or softpack; it is by far the best-rolling tire out there.

Javier Colombo



THE WORD

The Torch is my tire of choice. Keep the rubber side down and the airny side up!

Matt Policamp

RIZER



EXO
CONTINENTAL

PART #	SIZE	ETRTO	TPI	BEAD	WEIGHT	COMPOUND	MAX PSI	TECH
TB30909000	20x2.15	53-406	60	Foldable	545 g	Dual	110	EXO
TB35858000	20x2.30	58-406	60	Foldable	565 g	Dual	110	EXO

DIRT	STREET	PARK	FLAT	VERT

- ❖ **M152**
- ❖ **VERSATILE TREAD PATTERN FOR VARIED CONDITIONS**
- ❖ **WRAP-AROUND TREAD FOR EXTRA SIDEWALL PROTECTION**

The Rizer is designed to excel in a wide variety of terrains. Not too smooth and not too knobby, the Rizer's tread design will take you from the skatepark to the trails with a street session in between. Versatile and durable, the tread wraps around the tire, giving you extra sidewall protection for grinding ledges and rails.



PHOTO: BURKHART

BMX FREESTYLE

HOKKWORM

GRIFTER



PART #	SIZE	ETRTO	TPI	BEAD	WEIGHT	COMPOUND	MAX PSI	TECH
TB14410000	16x1.95	53-305	60	Wire	515 g	Single	110	—
TB29451000	20x1.95	53-406	60	Wire	655 g	Single	110	—

WHT	STREET	PARK	FLAT	VERT

- M121
- CURVED, GROOVED-SLICK DESIGN
- 110-PSI HIGH AIR-PRESSURE RATED
- URBAN ASSAULT DURABILITY

The original urban assault tire, designed to take the abuse of the most aggressive street-style riders. Provides durability and traction whether you're dropping staircases, grinding rails or riding in your local skatepark.

PART #	SIZE	ETRTO	TPI	BEAD	WEIGHT	COMPOUND	MAX PSI	TECH
TB29643000	20x1.65	48-406	120	Foldable	405 g	Dual	110	EXO
TB30704600	20x2.10	53-406	120	Foldable	445 g	Dual	110	EXO
NEW TB35849200	20x2.30	58-406	120	Foldable	515 g	Dual	110	SilkShield
NEW TB35849000	20x2.30	58-406	60	Wire	605 g	Dual	110	Skinwall

WHT	STREET	PARK	FLAT	VERT

- M148
- LIGHTWEIGHT FREESTYLE TIRE
- DUAL-COMPOUND
- 110-PSI HIGH AIR-PRESSURE RATED

It almost feels like cheating: The foldable bead and lightweight materials allow tricks to flow so much easier – without the extra weight to throw around. High pressure and dual-compound tread make landings stick at any angle. Maxxis used these technologies and more to produce the Grifter – simply the best freestyle tire ever.



THE WORD

I think of the Grifter as my riding buddy that, no matter what trick or spot, is always having a good session. At 80 PSI for a street session or 110 for a mega-ramp, they are always confidently right at home. Kind of like my favorite riding buddies, they almost seem to whispering 'Don't worry about it, you've got this!'

Austin Coleman

CREEPY CRAWLER F



ST
SUPER TACKY

PART #	SIZE	ETRTO	TPI	BEAD	WEIGHT	COMPOUND	MAX PSI	TECH
TB29688100	20x2.00	54-406	60	Wire	625 g	Super Tacky	50	ST

DIRT	STREET	PARK	FLAT	VERT
✓	✓	✓	✓	✓

- **M143**
- **BLOCK DESIGN**
- **FRONT-SPECIFIC**
- **BUILT ON 54-406MM CASING (20")**

The Creepy Crawler F is the ultimate all-around modified trials tire. Designed with a Super Tacky (ST) tread compound, this tire is built to keep you upright on the nastiest obstacles. The Creepy Crawler F is made to be ridden with the Creepy Crawler R for maximum performance from your modified trials bike.

CREEPY CRAWLER R



ST
SUPER TACKY

PART #	SIZE	ETRTO	TPI	BEAD	WEIGHT	COMPOUND	MAX PSI	TECH
TB35877000	20x2.50	67-387	25	Wire	1065 g	Super Tacky	50	ST

DIRT	STREET	PARK	FLAT	VERT
✓	✓	✓	✓	✓

- **M143**
- **BLOCK DESIGN**
- **REAR-SPECIFIC**
- **BUILT ON 67-387MM CASING (19")**
- **20x2.50 WILL NOT FIT A STANDARD 20" BMX WHEEL**

If you're a modified trials rider who wants aggressive traction for the most demanding conditions, the Creepy Crawler R is made for you. The Creepy Crawler R is constructed to be strong and durable, featuring Super Tacky (ST) tread compound that sticks to any obstacle. To sum it up, the Maxxis Creepy Crawler is the best modified trials tire on the market.

MVS STEMS



PART #	SIZE	WEIGHT	COLOR
OT00119000	60mm	4 g	Black
OT00127000	60mm	4 g	Orange
OT00128000	80mm	5 g	Black
OT00136000	80mm	5 g	Orange

- ❖ AVAILABLE IN PRESTA VALVE STEM LENGTHS OF 60MM, AND 80MM
- ❖ REMOVABLE VALVE CORE
- ❖ AVAILABLE IN 2 COLORS
- ❖ FOR USE WITH MVS TUBE OR MAXXIS TUBULAR TIRES ONLY

The Maxxis Modular Valve System allows you to easily customize your bike. The separation of the tube and valve stem allows you to choose your valve length and color without having to deal with finicky valve extensions. When the tube eventually needs to be replaced, the valve stem transfers to the new tube, instead of ending up in the trash. Available in Presta valve stem lengths of 60mm and 80mm and in two different colors.



PHOTO: DEVICH

MVS FLYWEIGHT TUBE

MVS ULTRALIGHT TUBE



PART #	SIZE	VALVE	WEIGHT
B66002000	26x1.90/2.125	MVS Presta	93 g
B84002000	700x18/25C	MVS Presta	50 g

PART #	SIZE	VALVE	WEIGHT
B66001000	26x1.90/2.125	MVS Presta	124 g
B84001000	700x18/25C	MVS Presta	64 g

- .45 MM THIN WALLS
- LIGHTWEIGHT AND DURABLE FOR RACING
- FOR USE WITH MVS STEM SET ONLY
- MAXXIS RIM STRIP INCLUDED

- .60 MM THIN WALLS
- LIGHTWEIGHT AND DURABLE FOR RACING
- FOR USE WITH MVS STEM SET ONLY

FLYWEIGHT

ULTRALIGHT



PART #	SIZE	VALVE	WEIGHT
NEW SB6388410	26x1.90/2.125	Presta RVC	94 g
NEW SB7512000	27.5x1.90/2.125	Presta RVC	108 g
NEW SB6987820	700x18/25C	Presta 60mm RVC	51 g
NEW SB9684500	29x1.90/2.125	Presta RVC	115 g

- .45 MM THIN WALLS
- LIGHTEST TUBE AVAILABLE
- MAXXIS RIM STRIP INCLUDED
- PRESTA & SCHRADER VALVES



PART #	SIZE	VALVE	WEIGHT
B25400000	20x1.50/1.75	Schrader	84 g
B29520000	20x1.90/2.125	Schrader	96 g
NEW B69763900	26x1.50/1.75	Presta RVC	110 g
NEW B60064200	26x1.50/1.75	Presta 48mm RVC	111 g
NEW B63828900	26x1.90/2.125	Presta RVC	126 g
B63810000	26x1.90/2.125	Schrader	127 g
NEW B61596200	650x18/25C	Presta 48mm RVC	69 g
NEW B75076300	27.5x1.90/2.35	Presta RVC	144 g
NEW B75077200	27.5x1.90/2.35	Presta 48mm RVC	145 g
NEW B96827400	29x1.90/2.35	Presta RVC	155 g
NEW B96827600	29x1.90/2.35	Presta 48mm RVC	156 g
NEW B69838600	700x18/25C	Presta 48mm RVC	66 g
NEW B69859200	700x18/25C	Presta 60mm RVC	67 g

- .60 MM THIN WALLS
- LIGHTWEIGHT AND DURABLE FOR RACING
- PRESTA & SCHRADER VALVES



Maxxis is proud to announce that our Presta valve tubes will now feature a removable valve core (RVC). This feature allows you to add a liquid sealant to the tube for added flat protection.

WELTERWEIGHT



PART #	SIZE	VALVE	WEIGHT
B14205000	16x1.90/2.125	Schrader	115 g
B29513000	20x1.90/2.125	Schrader	122 g
B22993000	20x1 1/4-13/8	Presta	106 g
NEW B29513200	20x1.90/2.125	Presta RVC	121 g
B48713000	24x1.90/2.125	Presta	147 g
B48701000	24x1.90/2.125	Schrader	148 g
NEW B63464200	26x1.90/2.125	Presta RVC	161 g
B67681000	26x1.90/2.125	Schrader	162 g
NEW B75078400	27.5x1.90/2.35	Presta RVC	190 g
NEW B75079300	27.5x1.90/2.35	Presta 48mm RVC	191 g
NEW B75097100	27.5x2.2/2.5	Presta RVC	221 g
NEW B96826100	29x1.90/2.35	Presta RVC	177 g
NEW B81555100	700x18/25,27x7/8-1	Presta 48mm RVC	84 g
NEW B81556100	700x18/25,27x7/8-1	Presta 60mm RVC	85 g
NEW B94198100	700x35/45,27x1 3/8-1 3/4	Presta RVC	127 g

- .90 MM THIN WALLS
- PUNCTURE RESISTANT
- PRESTA & SCHRADER VALVES



FREERIDE



PART #	SIZE	VALVE	WEIGHT
NEW B67446800	26x2.20/2.50	Presta RVC	293 g
B67445000	26x2.20/2.50	Schrader	295 g
B75102000	27.5x2.20/2.50	Schrader	307 g
NEW B75105100	27.5x2.2/2.5	Presta RVC	306 g
NEW B75109100	27.5x2.2/2.5	Presta 48mm RVC	307 g

- 1.2 MM THIN WALLS
- FREERIDE-SPECIFIC
- PRESTA & SCHRADER VALVES



DOWNHILL

PART #	SIZE	VALVE	WEIGHT
NEW B49959900	24x2.50/2.70	Presta RVC	426 g
B49963000	24x2.50/2.70	Schrader	427 g
NEW B68560100	26x2.50/2.70	Presta RVC	448 g
B68566000	26x2.50/2.70	Schrader	450 g

- 1.5 MM THIN WALLS
- DOWNHILL-SPECIFIC
- PRESTA & SCHRADER VALVES



TUBES

QUICK REFERENCE

ROAD

TIRE	PART NUMBER	SIZE	ETRTO	TPI	BEAD	WEIGHT	COMPOUND	MAX PSI	COLOR	TECH
CAMPIONE	TB88104000	28x23		120	N/A	265 g	3C	170	Black	3C/K2
	TB88205000	28x25		120	N/A	290 g	3C	170	Black	3C/K2
CAMPIONE TT	TB88104100	28x23		120	N/A	250 g	3C	170	Black	3C
	TB88205100	28x25		120	N/A	265 g	3C	170	Black	3C
FORZA	TB88102000	28x23		60	N/A	285 g	Dual	170	Black	Silworm
	TB88200000	28x25		60	N/A	310 g	Dual	170	Black	Silworm
PADRONE	TB81794000	700x23C	23-622	120	Carbon Fiber	295 g	Dual	125	Black	Silworm
	TB86470100	700x25C	25-622	120	Carbon Fiber	310 g	Dual	125	Black	Silworm
PADRONE TR	TB81815100	700x23C	23-622	170	Carbon Fiber	260 g	Dual	125	Black	S&Shield/ONE70/TR
	TB86459100	700x25C	25-622	170	Carbon Fiber	270 g	Dual	125	Black	S&Shield/ONE70/TR
RADIALE TL	TB86175000	700x22C	22-622	120	Carbon Fiber	285 g	Dual	125	Black	Silworm
	TB86425000	700x24C	24-622	120	Carbon Fiber	305 g	Dual	125	Black	Silworm
RELIX	TB86239100	700x23C	23-622	170	Foldable	205 g	Dual	145	Black	ONE70/S&Shield
	TB86372000	700x25C	25-622	170	Foldable	215 g	Dual	145	Black	ONE70/S&Shield
RELIX TT	TB86239200	700x23C	23-622	170	Foldable	160 g	Single	145	Black/Grey	ONE70
COURCHEVEL	TB86345300	700x23C	23-622	120	Foldable	225 g	3C	130	Black / Grey / Grey	3C/MaxShield
CORMET	TB86331200	700x23C	23-622	170	Foldable	200 g	Single	130	Black	ONE70/Nylon Breaker
COLUMBIERE	TB86355000	700x23C	23-622	120	Foldable	200 g	Single	130	Black	Nylon Breaker
	TB86370000	700x25C	25-622	120	Foldable	205 g	Single	130	Black	Nylon Breaker
DOLOMITES	TB81808000	700x23C	23-622	120	Foldable	185g	Dual	130	Black	Silworm
ROULER	TB81793000	700x23C	23-622	120	Foldable	215 g	Dual	130	Black	Silworm
DETONATOR	TB86352100	700x23C	23-622	60	Foldable	230 g	Dual	120	Grey	Silworm
	TB86353700	700x23C	23-622	60	Foldable	220 g	Dual	120	White	Silworm
	TB86353000	700x23C	23-622	60	Foldable	230 g	Dual	120	Blue	Silworm
	TB86352000	700x23C	23-622	60	Foldable	230 g	Dual	120	Red	Silworm
	TB86351700	700x23C	23-622	60	Foldable	220 g	Dual	120	Line	Silworm
	TB86352200	700x23C	23-622	60	Foldable	230 g	Dual	120	Yellow	Silworm
	TB86352300	700x23C	23-622	60	Foldable	230 g	Dual	120	Orange	Silworm
	TB86353600	700x23C	23-622	60	Foldable	220 g	Dual	120	Pink	Silworm
	TB86367500	700x25C	25-622	60	Foldable	250 g	Dual	120	Grey	Silworm
	TB86336000	700x23C	23-622	60	Foldable	295 g	Single	120	Black	MaxShield
TB86359000	700x25C	25-622	60	Foldable	300 g	Single	120	Black	MaxShield	
TB88505000	700x28C	28-622	60	Foldable	320 g	Single	120	Black	MaxShield	

CYCLOCROSS

TIRE	PART NUMBER	SIZE	ETRTO	TPI	BEAD	WEIGHT	COMPOUND	MAX PSI	TECH
RAZE	TB88985200	700x33C	33-622	60	Foldable	355 g	Single	75	—
LARSEN MMO CX	TB91443000	700x35C	35-622	60	Foldable	300 g	Single	75	—
MUD WRESTLER	TB88992100	700x33C	33-622	60	Carbon Fiber	390 g	Dual	75	EXO/TR
	TB88992200	700x33C	33-622	120	Carbon Fiber	370 g	Dual	75	EXO/TR

HYBRID

TIRE	PART NUMBER	SIZE	ETRTO	TPI	BEAD	WEIGHT	COMPOUND	MAX PSI	TECH
DETONATOR-HYBRID	TB88908000	26x1.50	40/38-559	60	Foldable	440 g	Single	80	—
	TB88917100	27.5x1.50	40-584	60	Foldable	485 g	Single	80	—
OVERDRIVE	TB64110600	26x1.75x2	47-559	60	Wire	615 g	Single	50	K2
	TB95688700	700x38C	40-622	60	Wire	580 g	Single	75	K2

TIRE	PART NUMBER	SIZE	ETRTO	TPI	BEAD	WEIGHT	COMPOUND	MAX PSI	TECH
OVERDRIVE ELITE	TB20120000	20x1.15	28-406	60	Wire	255 g	Single	100	K2
	TB22310000	20x1.35	32-406	60	Wire	365 g	Single	100	K2
	TB64506000	26x1.75	42-559	120	Foldable	540 g	Dual	80	K2
OVERDRIVE II	TB91438000	700x35C	35-622	120	Foldable	475 g	Dual	75	K2
	TB60867000	26x1.65	42-559	60	Foldable	540 g	Dual	80	MaxShield
ROAMER	TB60867100	26x1.65	42-559	60	Wire	510 g	Single	80	Silworm
	TB23110000	20x1.65	42-406	60	Wire	460 g	Dual	100	Keivar® Inside
GYPSY	TB60865000	26x1.65	42-559	60	Wire	600 g	Dual	80	Keivar® Inside
	TB96354000	700x42C	44-622	60	Wire	715 g	Dual	75	Keivar® Inside
	TB96356000	700x42C	44-622	60	Wire	690 g	Dual	75	eBike/S&Shield
ROAMER	TB22781000	20x1.50	38-406	60	Wire	400 g	Dual	100	Silworm
	TB58915000	26x1.50	38-559	60	Wire	495 g	Dual	80	Silworm
	TB69917000	26x2.10	53-559	60	Wire	790 g	Dual	65	eBike/S&Shield
	TB95734000	700x38C	40-622	60	Wire	645 g	Dual	85	S&Shield
	TB95735000	700x38C	40-622	60	Wire	645 g	Dual	85	eBike/S&Shield

MOUNTAIN

TIRE	PART NUMBER	SIZE	ETRTO	TPI	BEAD	WEIGHT	COMPOUND	MAX PSI	TECH
MAXLITE	TB69089000	26x2.00	50-559	170	Foldable	285 g	Dual	60	ONE70/Silworm
	TB85939000	27.5x2.00	50-584	170	Foldable	340 g	Dual	60	ONE70/Silworm
	TB96685000	29x2.00	50-622	170	Foldable	345 g	Dual	60	ONE70/Silworm
TREAD LITE	TB70064000	26x2.10	53-559	120	Foldable	530 g	Dual	60	TR
	TB70064100	26x2.10	53-559	120	Foldable	565 g	Dual	60	EXO/TR
	TB90946000	27.5x2.10	53-584	120	Foldable	560 g	Dual	60	TR
	TB90946100	27.5x2.10	53-584	120	Foldable	595 g	Dual	60	EXO/TR
	TB96650000	29x2.10	53-622	120	Foldable	590 g	Dual	60	TR
ASPEN	TB96659100	29x2.10	53-622	120	Foldable	630 g	Dual	60	EXO/TR
	TB69797500	26x2.10	52-559	60	Foldable	560 g	Dual	65	—
	TB69798000	26x2.10	52-559	120	Foldable	510 g	Dual	65	—
	TB72557500	26x2.25	54-559	60	Foldable	590 g	Dual	65	—
	TB66689000	29x2.10	52-622	120	Foldable	565 g	Dual	65	—
CROSSMARK	TB69784000	26x2.10	52-559	60	Foldable	570 g	Single	65	—
	TB69783200	26x2.10	52-559	120	Foldable	515 g	Single	65	Silworm
	TB69783300	26x2.10	52-559	120	Foldable	570 g	Single	65	EXO
	TB69624000	26x2.10	52-559	120	Foldable	725 g	Dual	60	LUSTAUST
	TB69613000	26x2.10	52-559	60	Foldable	585 g	Dual	60	TR
	TB69613100	26x2.10	52-559	60	Foldable	620 g	Dual	60	EXO/TR
	TB72548000	26x2.25	54-559	60	Foldable	640 g	Single	65	—
	TB72545000	26x2.25	54-559	120	Foldable	885 g	Dual	60	LUSTAUST
	TB72570000	26x2.25	54-559	60	Foldable	615 g	Dual	60	TR
	TB72570100	26x2.25	54-559	60	Foldable	655 g	Dual	60	EXO/TR
IRON	TB85910100	27.5x2.10	53-584	60	Foldable	605 g	Single	65	—
	TB85910400	27.5x2.10	53-584	120	Foldable	515 g	Single	65	—
	TB96699000	29x2.10	52/52-622	60	Foldable	635 g	Single	65	—
	TB96697000	29x2.10	53-622	120	Foldable	840 g	Dual	60	LUSTAUST
	TB96685000	29x2.10	52-622	60	Foldable	645 g	Dual	60	TR
	TB66685100	29x2.10	52-622	60	Foldable	700 g	Dual	60	EXO/TR
	TB72385300	26x2.20	57-559	60	Foldable	540 g	Dual	65	—
TB72385100	26x2.20	57-559	120	Foldable	480 g	3C Max Speed	65	3C	

QUICK REFERENCE

TIRE	PART NUMBER	SIZE	ETRTO	TPI	BEAD	WEIGHT	COMPOUND	MAX PSI	TECH
KON	TB72390000	26x2.20	57-559	120	Foldable	535 g	3C Max Speed	60	3C/TR
	TB72385000	26x2.20	57-559	120	Foldable	540 g	3C Max Speed	65	3C/EXO
	TB72390100	26x2.20	57-559	120	Foldable	585 g	3C Max Speed	60	3C/EXO/TR
	TB73497000	26x2.35	60-559	120	Foldable	590 g	3C Max Speed	65	3C
	TB73497100	26x2.35	60-559	120	Foldable	645 g	3C Max Speed	65	3C/EXO
	TB73499000	26x2.35	60-559	120	Foldable	640 g	3C Max Speed	60	3C/TR
	TB73499100	26x2.35	60-559	120	Foldable	680 g	3C Max Speed	60	3C/EXO/TR
	TB85919000	27.5x2.20	56-584	120	Foldable	600 g	3C Max Speed	60	3C/EXO/TR
	TB85956000	27.5x2.35	60-584	120	Foldable	705 g	3C Max Speed	60	3C/EXO/TR
	TB96646000	29x2.00	50-622	120	Foldable	560 g	3C Max Speed	60	3C/TR
	TB96646100	29x2.00	50-622	120	Foldable	605 g	3C Max Speed	60	3C/EXO/TR
	TB96753300	29x2.20	57-662	60	Foldable	580 g	Dual	65	—
	TB96753100	29x2.20	57-622	120	Foldable	525 g	3C Max Speed	65	3C
	TB96740000	29x2.20	57-622	120	Foldable	590 g	3C Max Speed	60	3C/TR
	TB96753000	29x2.20	57-622	120	Foldable	590 g	3C Max Speed	65	3C/EXO
	TB96740100	29x2.20	57-622	120	Foldable	645 g	3C Max Speed	60	3C/EXO/TR
	TB96729000	29x2.35	60-622	120	Foldable	660 g	3C Max Speed	65	3C
	TB96729100	29x2.35	60-622	120	Foldable	725 g	3C Max Speed	65	3C/EXO
	TB96731000	29x2.35	60-622	120	Foldable	695 g	3C Max Speed	60	3C/TR
	TB96731100	29x2.35	60-622	120	Foldable	740 g	3C Max Speed	60	3C/EXO/TR
SNYPER	TB49307200	24x2.00	50-507	60	Foldable	600 g	Dual	65	S&S Shield
	TB49307300	24x2.00	50-507	60	Wire	650 g	Dual	65	S&S Shield
IGNITOR	TB89756900	26x2.10	47-559	60	Foldable	575 g	Single	65	—
	TB89757100	26x2.10	47-559	120	Foldable	505 g	Single	65	Silicorn
	TB89754200	26x2.10	47-559	120	Foldable	710 g	Dual	60	LUSTAUST
	TB89306000	26x2.10	47-559	60	Foldable	590 g	Single	60	TR
	TB89306100	26x2.10	47-559	60	Foldable	635 g	Single	60	EXO/TR
	TB73561500	26x2.35	52-559	60	Foldable	690 g	Single	65	—
	TB73560000	26x2.35	52-559	60	Foldable	770 g	Single	65	EXO
	TB73457100	26x2.35	52-559	120	Foldable	850 g	Dual	60	LUSTAUST
	TB73553000	26x2.35	52-559	60	Foldable	675 g	Single	60	TR
	TB73553100	26x2.35	52-559	60	Foldable	730 g	Single	60	EXO/TR
TB96696000	29x2.10	52/52-622	60	Foldable	635 g	Single	65	—	
TB96694500	29x2.10	52/52-622	120	Foldable	635 g	Single	65	EXO	
TB96657000	29x2.10	52-622	60	Foldable	670 g	Single	60	TR	
TB96657100	29x2.10	52-622	60	Foldable	730 g	Single	60	EXO/TR	
ARDENT RACE	TB72374000	26x2.20	56-559	120	Foldable	605 g	3C Max Speed	60	3C/TR
	TB72374100	26x2.20	56-559	120	Foldable	650 g	3C Max Speed	60	3C/EXO/TR
	TB85918000	27.5x2.20	56-584	120	Foldable	635 g	3C Max Speed	60	3C/TR
	TB85918100	27.5x2.20	56-584	120	Foldable	680 g	3C Max Speed	60	3C/EXO/TR
	TB96742000	29x2.20	56-622	120	Foldable	670 g	3C Max Speed	60	3C/TR
	TB96742100	29x2.20	56-622	120	Foldable	720 g	3C Max Speed	60	3C/EXO/TR
ARDENT	TB72555000	26x2.25	54/56-559	60	Foldable	650 g	Single	65	—
	TB72560000	26x2.25	54/56-559	60	Foldable	705 g	Single	65	EXO
	TB72560000	26x2.25	54/56-559	120	Foldable	830 g	Dual	60	LUSTAUST
	TB72569000	26x2.25	54/56-559	60	Foldable	695 g	Dual	60	TR
	TB72569100	26x2.25	54/56-559	60	Foldable	725 g	Dual	60	EXO/TR
	TB74177000	26x2.40	58/60-559	60	Foldable	790 g	Single	65	EXO
	TB72917000	26x2.40	58/60-559	60	Foldable	685 g	Dual	60	TR
	TB72917100	26x2.40	58/60-559	60	Foldable	730 g	Dual	60	EXO/TR

TIRE	PART NUMBER	SIZE	ETRTO	TPI	BEAD	WEIGHT	COMPOUND	MAX PSI	TECH	
ARDENT	TB85913000	27.5x2.25	57-584	60	Wire	740 g	Single	65	—	
	TB85913100	27.5x2.25	57-584	60	Foldable	660 g	Single	65	—	
	TB85913400	27.5x2.25	57-584	60	Foldable	720 g	Single	65	EXO	
	TB85955000	27.5x2.25	56-584	60	Foldable	715 g	Dual	60	TR	
	TB85955100	27.5x2.25	56-584	60	Foldable	760 g	Dual	60	EXO/TR	
	TB85967100	27.5x2.40	61-584	60	Foldable	760 g	Dual	60	EXO/TR	
	TB96712000	29x2.25	54/56-622	60	Wire	775 g	Single	65	—	
	TB96712500	29x2.25	54/56-622	60	Foldable	690 g	Single	65	—	
	TB96712300	29x2.25	56-622	60	Foldable	690 g	Single	65	Skinwall	
	TB96712900	29x2.25	54/56-622	120	Foldable	885 g	Dual	60	LUSTAUST	
	TB96712700	29x2.25	54/56-622	60	Foldable	745 g	Single	65	EXO	
	TB96734000	29x2.25	56-622	60	Foldable	755 g	Dual	60	TR	
	TB96734100	29x2.25	56-622	60	Foldable	800 g	Dual	60	EXO/TR	
	TB96789100	29x2.40	59/61-622	60	Foldable	750 g	Single	65	Skinwall	
	TB96789000	29x2.40	59/61-622	60	Foldable	805 g	Single	65	EXO	
	TB96793000	29x2.40	61-622	60	Foldable	755 g	Dual	60	TR	
	TB96793100	29x2.40	61-622	60	Foldable	805 g	Dual	60	EXO/TR	
	HIGH ROLLER	TB89764400	26x2.10	47-559	60	Foldable	525 g	Single	65	—
		TB73614500	26x2.35	52-559	60	Wire	775 g	Single	65	—
	HIGH ROLLER II	TB73616200	26x2.35	52-559	60	Foldable	690 g	Single	65	—
TB73613600		26x2.35	52-559	120	Foldable	915 g	Dual	60	LUSTAUST	
HIGH ROLLER III	TB73307000	26x2.30	58-559	60	Foldable	825 g	Dual	60	EXO/TR	
	TB73307100	26x2.30	58-559	60	Foldable	840 g	3C Max Terra	60	3C/EXO/TR	
	TB74177300	26x2.40	61-559	60	Foldable	870 g	Single	65	EXO	
	TB74177500	26x2.40	61-559	60	Foldable	855 g	3C Max Terra	65	3C/EXO	
	TB85923000	27.5x2.30	58-584	60	Foldable	845 g	Dual	60	EXO/TR	
	TB85923100	27.5x2.30	58-584	60	Foldable	875 g	3C Max Terra	60	3C/EXO/TR	
	TB85915400	27.5x2.40	61-584	60	Foldable	910 g	Single	65	EXO	
	TB85915500	27.5x2.40	61-584	60	Foldable	890 g	3C Max Terra	65	3C/EXO	
	TB96769000	29x2.30	58-622	60	Foldable	890 g	Dual	60	EXO/TR	
	TB96769100	29x2.30	58-622	60	Foldable	920 g	3C Max Terra	60	3C/EXO/TR	
MINION DHF	TB73305100	26x2.30	58-559	60	Foldable	845 g	Dual	60	EXO/TR	
	TB73305200	26x2.30	58-559	60	Foldable	845 g	3C Max Terra	60	3C/EXO/TR	
	TB73550000	26x2.35	52-559	60	Wire	825 g	Super Tacky	65	ST	
	TB73550400	26x2.35	52-559	60	Wire	785 g	Single	65	—	
	TB73550800	26x2.35	52-559	60	Foldable	700 g	Single	65	—	
	TB74267000	26x2.50	55-559	60	Foldable	880 g	Single	65	EXO	
TB74267300	26x2.50	55-559	60	Foldable	860 g	3C Max Terra	65	3C/EXO		
TB74267400	26x2.50	55/59-559	60	Foldable	940 g	Single	65	ST/EXO		
TB85925100	27.5x2.30	58-584	60	Foldable	870 g	3C Max Terra	60	3C/EXO/TR		
TB96785000	29x2.30	58-622	60	Foldable	925 g	Dual	60	EXO/TR		
TB96785100	29x2.30	58-622	60	Foldable	925 g	3C Max Terra	60	3C/EXO/TR		
TB96800000	29x2.50	63-662	60	Foldable	1005 g	Dual	50	EXO/TR		
TB96800300	29x2.50	63-622	60	Foldable	1015 g	3C Max Terra	50	3C/EXO/TR		
MINION DHR II	TB73303000	26x2.30	58-559	60	Foldable	780 g	Dual	60	EXO/TR	
	TB73303100	26x2.30	58-559	60	Foldable	755 g	3C Max Terra	60	3C/EXO/TR	
	TB72907400	26x2.40	61-559	60	Foldable	910 g	Single	65	EXO	
	TB72907500	26x2.40	61-559	60	Foldable	895 g	Super Tacky	65	ST/EXO	
	TB72907300	26x2.40	61-559	60	Foldable	885 g	3C Max Terra	65	3C/EXO	
	TB85927000	27.5x2.30	58-584	60	Foldable	765 g	3C Max Terra	60	3C/EXO/TR	

QUICK REFERENCE

QUICK REFERENCE

TIRE	PART NUMBER	SIZE	ETRTO	TPI	BEAD	WEIGHT	COMPOUND	MAX PSI	TECH
MINION DHR II	TB96776000	29x2.30	58-662	60	Foldable	855 g	Dual	60	EXO/TR
	TB96776100	29x2.30	58-662	60	Foldable	825 g	3C Maxx Terra	60	3C/EXO/TR
BEAVER	TB68601100	26x2.00	50-559	120	Foldable	540 g	Dual	60	EXO/TR
	TB72564000	26x2.25	57-559	60	Foldable	695 g	Dual	65	EXO
	TB90915100	27.5x2.00	50-584	120	Foldable	570 g	Dual	60	EXO/TR
	TB96820100	29x2.00	50-622	120	Foldable	600 g	Dual	60	EXO/TR
SHORTY	TB96737000	29x2.25	57-622	60	Foldable	765 g	Dual	65	EXO
	TB73309000	26x2.30	58-559	60	Foldable	780 g	3C Maxx Terra	60	TR
	TB73309100	26x2.30	58-559	60	Foldable	825 g	3C Maxx Terra	60	EXO/TR
	TB85924000	27.5x2.30	58-584	60	Foldable	815 g	3C Maxx Terra	60	TR
	TB85924100	27.5x2.30	58-584	60	Foldable	865 g	3C Maxx Terra	60	EXO/TR
	TB96772000	29x2.30	58-622	60	Foldable	860 g	3C Maxx Terra	60	TR
TB96772100	29x2.30	58-622	60	Foldable	910 g	3C Maxx Terra	60	EXO/TR	

DOWNHILL

TIRE	PART NUMBER	SIZE	ETRTO	TPI	BEAD	WEIGHT	COMPOUND	MAX PSI	TECH
GRIFIN	TB72919100	26x2.40	61-559	60	Wire	1140 g	Super Tacky	65	ST
	TB72919000	26x2.40	61-559	60	Wire	1130 g	3C Maxx Grip	65	3C
	TB85969100	27.5x2.40	61-584	60	Wire	1190 g	Super Tacky	65	ST
	TB85969000	27.5x2.40	61-584	60	Wire	1180 g	3C Maxx Grip	65	3C
MINION DHF	TB74265700	26x2.50	55-559	60	Wire	1160 g	Single	65	—
	TB74265000	26x2.50	55-559	60	Wire	1200 g	Super Tacky	65	ST
	TB74262000	26x2.50	55-559	27	Foldable	1160 g	Super Tacky	55	UST/ST
	TB74265500	26x2.50	55-559	60	Wire	1265 g	3C Maxx Grip	65	3C
MINION DHR II	TB74269000	26x2.50	55-559	60	Wire	1270 g	3C Maxx Grip	65	3C/Skinwall
	TB85976100	27.5x2.50	63-584	60	Wire	1390 g	Super Tacky	65	ST
	TB85976000	27.5x2.50	63-584	60	Wire	1390 g	3C Maxx Grip	65	3C
	TB96800100	29x2.50	63-622	60	Foldable	1250 g	Dual	60	TR
	TB96800200	29x2.50	63-622	60	Foldable	1220 g	3C Maxx Grip	60	3C/TR
	TB72907000	26x2.40	61-559	60	Wire	1240 g	Single	65	—
	TB72907200	26x2.40	61-559	60	Wire	1225 g	Super Tacky	65	ST
	TB72907100	26x2.40	61-559	60	Wire	1265 g	3C Maxx Grip	65	3C
	TB91051100	27.5x2.40	61-584	60	Wire	1290 g	Super Tacky	65	ST
	TB91051000	27.5x2.40	61-584	60	Wire	1315 g	3C Maxx Grip	65	3C
HIGH ROLLER	TB50653300	24x2.50	55-507	60	Wire	1050 g	Single	65	—
	TB74302100	26x2.50	54-559	60	Wire	1180 g	Single	65	—
	TB74220000	26x2.50	55-559	27	Foldable	1215 g	Super Tacky	55	UST/ST
	TB74301600	26x2.50	54-559	60	Wire	1265 g	3C Maxx Grip	65	3C
HIGH-ROLLER II	TB74177200	26x2.40	61-559	60	Wire	1205 g	Single	65	—
	TB74177100	26x2.40	61-559	60	Wire	1260 g	3C Maxx Grip	65	3C
	TB74177600	26x2.40	61-559	60	Wire	1225 g	Super Tacky	65	ST
	TB85915300	27.5x2.40	61-584	60	Wire	1250 g	Single	65	—
	TB85915100	27.5x2.40	61-584	60	Wire	1270 g	Super Tacky	65	ST
	TB85915200	27.5x2.40	61-584	60	Wire	1305 g	3C Maxx Grip	65	3C
SHORTY	TB72911100	26x2.40	61-559	60	Wire	1215 g	Super Tacky	65	ST
	TB72911000	26x2.40	61-559	60	Wire	1215 g	3C Maxx Grip	65	3C
	TB91056100	27.5x2.40	61-584	60	Wire	1270 g	Super Tacky	65	ST
TB91056000	27.5x2.40	61-584	60	Wire	1270 g	3C Maxx Grip	65	3C	
WETScream	TB74276000	26x2.50	55-559	60	Wire	1160 g	Super Tacky	65	ST

FAT BIKE

TIRE	PART NUMBER	SIZE	ETRTO	TPI	BEAD	WEIGHT	COMPOUND	MAX PSI	TECH
MAMMOTH	TB72650200	26x4.0	102-559	60	Foldable	1270 g	Dual	30	—
	TB72650000	26x4.0	102-559	120	Foldable	1270 g	Dual	30	EXO
CHRONICLE	TB96833200	29x3.0	78-622	60	Foldable	1040 g	Dual	30	—
	TB96833000	29x3.0	78-622	120	Foldable	1055 g	Dual	30	EXO

URBAN

TIRE	PART NUMBER	SIZE	ETRTO	TPI	BEAD	WEIGHT	COMPOUND	MAX PSI	TECH
HOLY ROLLER	TB72392000	26x2.20	52-559	60	Wire	800 g	Single	65	—
	TB74180100	26x2.40	55-559	60	Wire	830 g	Single	65	—
DTH	TB72683000	26x2.15	52/54-559	60	Foldable	550 g	Single	80	—
	TB72683100	26x2.15	52/54-559	60	Foldable	555 g	Single	80	Skinwall
	TB73300000	26x2.30	55/58-559	60	Wire	730 g	Single	65	—
	TB73301000	26x2.30	55/58-559	60	Foldable	650 g	Single	65	—
TORCH	TB96651200	29x2.10	53-622	120	Foldable	625 g	Single	65	Silworm
HOOKWORM	TB74255100	26x2.50	63-559	60	Wire	1125 g	Single	65	—
	TB96805000	29x2.50	63-622	60	Wire	1230 g	Single	65	—
GRIFTER	TB96848100	29x2.00	50-622	60	Foldable	655 g	Single	65	—
	TB96802000	29x2.50	64-622	60	Wire	885 g	Single	65	—

BMX

TIRE	PART NUMBER	SIZE	ETRTO	TPI	BEAD	WEIGHT	COMPOUND	MAX PSI	TECH	
MAXDADDY	TB29682000	20x2.00	54-406	60	Wire	540 g	Single	40	—	
HOLY ROLLER	TB20350000	20x1 1/8	28-451	60	Wire	255 g	Single	85	—	
	TB20628000	20x1 3/8	37-451	60	Wire	345 g	Single	65	—	
	TB24748000	20x1.75	47-406	60	Wire	425 g	Single	60	—	
	TB29478000	20x1.95	53-406	60	Wire	495 g	Single	60	—	
	TB31020000	20x2.20	56-406	60	Wire	610 g	Single	60	—	
	TB47640000	24x1.75	47-507	60	Wire	525 g	Single	60	—	
	TB49212000	24x1.85	50-507	60	Wire	610 g	Single	60	—	
	DTH	TB20352000	20x1 1/8	28-451	120	Wire	245 g	Dual	85	Silworm
		TB20629000	20x1 3/8	37-451	120	Wire	315 g	Dual	65	Silworm
		TB22329500	20x1.50	38-406	120	Foldable	295 g	Dual	110	Silworm
TB24751000		20x1.75	44-406	120	Foldable	345 g	Dual	110	Silworm	
TB29464500		20x1.95	49-406	120	Foldable	375 g	Dual	110	Silworm	
TB31025000		20x2.20	56-406	120	Foldable	485 g	Dual	110	Silworm	
TB47649000		24x1.75	44-507	120	Wire	440 g	Dual	65	Silworm	
TORCH		TB20354000	20x1 1/8	28-451	60	Wire	260 g	Dual	85	Silworm
		TB20626000	20x1 3/8	37-451	60	Wire	310 g	Dual	100	Silworm
		TB22783100	20x1.50	38-406	120	Foldable	320 g	Dual	110	SilShield
	TB24755100	20x1.75	44-406	120	Foldable	365 g	Dual	110	SilShield	
RZER	TB29519100	20x1.95	49-406	120	Foldable	395 g	Dual	110	SilShield	
	TB47641000	24x1.75	44-507	120	Wire	450 g	Dual	65	Silworm	
	TB30909000	20x2.15	53-406	60	Foldable	545 g	Dual	110	EXO	
	TB35658000	20x2.30	58-406	60	Foldable	595 g	Dual	110	EXO	
HOOKWORM	TB14410000	16x1.95	53-305	60	Wire	515 g	Single	110	—	
	TB29461000	20x1.95	53-406	60	Wire	655 g	Single	110	—	

QUICK REFERENCE

TIRE	PART NUMBER	SIZE	ETRTO	TPI	BEAD	WEIGHT	COMPOUND	MAX PSI	TECH
GRIFTER	TB29643000	20x1.85	49-406	120	Foldable	405 g	Dual	110	EXO
	TB30704600	20x2.10	53-406	120	Foldable	445 g	Dual	110	EXO
	TB35849200	20x2.30	58-406	120	Foldable	515 g	Dual	110	SB-Shield
	TB35849000	20x2.30	58-406	60	Wire	605 g	Dual	110	Skinwall

MODIFIED TRIALS

TIRE	PART NUMBER	SIZE	ETRTO	TPI	BEAD	WEIGHT	COMPOUND	MAX PSI	TECH
CREEPY CRAWLER F	TB29688100	20x2.00	54-406	60	Wire	625 g	Super Tacky	50	ST
CREEPY CRAWLER R	TB35877000	20x2.50	67-387	25	Wire	1085 g	Super Tacky	50	ST

MODULAR VALVE SYSTEM STEMS

STEM	PART NUMBER	SIZE	VALVE	WEIGHT	COLOR
MVS STEMS	OT00119000	60mm	MVS	4 g	Black
	OT00127000	60mm	MVS	4 g	Orange
	OT00128000	80mm	MVS	5 g	Black
	OT00136000	80mm	MVS	5 g	Orange

MODULAR VALVE SYSTEM TUBES

TUBE	PART NUMBER	SIZE	VALVE	WEIGHT
MVS FLYWEIGHT TUBES	B65002000	26x1.90/2.125 FLYWEIGHT TUBE	MVS	93 g
	B84002000	700x18/25C FLYWEIGHT TUBE	MVS	50 g
MVS ULTRALIGHT TUBES	B65001000	26x1.90/2.125	MVS	124 g
	B84001000	700x18/25C	MVS	64 g

TUBES

TUBE	PART NUMBER	SIZE	VALVE	WEIGHT	
FLYWEIGHT	SB6388410	26x1.90/2.125	Presta RVC	94 g	
	SB7512000	27.5x1.90/2.125	Presta RVC	108 g	
	SB6987820	700x18/25C	Presta 60mm RVC	51 g	
	SB9684500	29x1.90/2.125	Presta RVC	115 g	
	ULTRALIGHT	B25400000	20x1.50/1.75	Schrader	84 g
B29520000		20x1.90/2.125	Schrader	96 g	
B59763900		26x1.50/1.75	Presta RVC	110 g	
B60064200		26x1.50/1.75	Presta 48mm RVC	111 g	
B63828900		26x1.90/2.125	Presta RVC	126 g	
B63810000		26x1.90/2.125	Schrader	127 g	
B51596200		650x18/25C	Presta 48mm RVC	69 g	
B75076300		27.5x1.90/2.35	Presta RVC	144 g	
B75077200		27.5x1.90/2.35	Presta 48mm RVC	145 g	
B96827400		29x1.90/2.35	Presta RVC	155 g	
B96827600		29x1.90/2.35	Presta 48mm RVC	156 g	
B69838600		700x18/25C	Presta 48mm RVC	66 g	
B69859200		700x18/25C	Presta 60mm RVC	67 g	
WELTER WEGHT		B14205000	16x1.90/2.125	Schrader	115 g
		B29513000	20x1.90/2.125	Schrader	122 g

TUBE	PART NUMBER	SIZE	VALVE	WEIGHT	
WELTER WEGHT	B22993000	20x1.1/4-13/8	Presta	106 g	
	B29513200	20x1.90/2.125	Presta RVC	121 g	
	B48713000	24x1.90/ 2.125	Presta	147 g	
	B48701000	24x1.90/2.125	Schrader	148 g	
	B63464200	26x1.90/2.125	Presta RVC	161 g	
	B67681000	26x1.90/2.125	Schrader	162 g	
	B75078400	27.5x1.90/2.35	Presta RVC	190 g	
	B75079000	27.5x1.90/2.35	Presta 48mm RVC	191 g	
	B75097100	27.5x2.2/2.5	Presta RVC	221 g	
	B96826100	29x1.90/2.35	Presta RVC	177 g	
	B81555100	700x18/25.27x17/8-1	Presta 48mm RVC	84 g	
	B81556100	700x18/25.27x17/8-1	Presta 60mm RVC	85 g	
	B94198100	700x35/45.27x1 3/8-1 3/4	Presta RVC	127 g	
	FREEFIDE	B67446900	26x2.20/2.50	Presta RVC	293 g
		B67445000	26x2.20/2.50	Schrader	295 g
B75102000		27.5x2.20/2.50	Schrader	307 g	
B75105100		27.5x2.2/2.5	Presta RVC	306 g	
B75109100		27.5x2.2/2.5	Presta 48mm RVC	307 g	
DOWNHILL	B49969900	24x2.50/2.70	Presta RVC	426 g	
	B49963000	24x2.50/2.70	Schrader	427 g	
	B68560100	26x2.50/2.70	Presta RVC	448 g	
	B68566000	26x2.50/2.70	Schrader	450 g	



QUICK REFERENCE



PHOTO: MEAGUE

MAXXIS®

maxxis.com